



ESD – Plastic heavy pallet  
1200 x 800 x 160 mm

Doc. Type	T S T		
Doc. Num.	N 098 02.03		
Doc. Part	002	Doc. Ver.	02
Date:	2017-05-30	Page 1 of 6	

### Contents

Changes .....	2
Previous Editions .....	2
1 SCOPE .....	2
2 REFERENCES .....	2
3 APPLICATION .....	2
4 SPECIFICATION .....	3
4.1 Dimensions .....	4
4.2 Bending data .....	5
4.2.1 Test precondition .....	5
5 IDENTIFICATION .....	5
5.1 ESD- Logo .....	5
5.2 Positioning of the printing of the right pallet skid .....	5
5.3 Continental Logo .....	6
5.4 SAP - Packaging-part-number .....	6
5.5 Positioning of the printing on the left pallet skid .....	6

Weitergabe sowie Vervielfältigung dieses Dokuments, Verwertung und Mitteilung seines Inhalts sind verboten, soweit nicht ausdrücklich gestattet. Zuwiderhandlungen verpflichten zu Schadenersatz. Alle Rechte für den Fall der Patent-, Gebrauchsmuster- oder Geschmacksmustereintragung vorbehalten.

The reproduction, distribution and utilization of this document as well as the communication of its contents to others without express authorization is prohibited. Offenders will be held liable for the payment of damages. All rights reserved in the event of the grant of a patent, utility model or design.

No guarantee can be given in respect of the translation. In all cases the latest German-Language version of this standard shall be taken as authoritative.

MITTEILUNG NR.  
NOTE NO.

ERSTELLT DURCH  
CREATED BY

GENEHMIGT VON  
APPROVED BY

FREIGEgeben VON  
RELEASED BY

© Continental AG. 2017

ZPA-17140002

SCMA CTP  
Team

SCMA CTP  
Katja Brüne

QPS  
U.Czerwon

## Changes

The points marked with [02] have been added or revised new.

## Previous Editions

[01] ZPA-15140653 – 2015-12-16

[00] FRB-14133332 – 2014-09-29

## 1 SCOPE

This standard applies to all companies of Continental Automotive Divisions, their plants and departments.

## 2 REFERENCES

TST N 00155.50-000	Design standard brand „Continental“ on products created in the production process
TST N 09801.09-000	Plastic pallet test specification
DIN 55423-5/-6	Small load carrier system – part 5 and 6; pallet made from polyethylene GS1
IEC 61340-5-1	Protection of electronic devices from electrostatic phenomena - General requirements
IEC 61340-5-3	Protection of electronic devices from electrostatic phenomena - Properties and requirements classification for packaging intended for electrostatic discharge sensitive devices
IEC 61340-2-3	Methods of test for determining the resistance and resistivity of solid planar materials used to avoid electrostatic charge accumulation
DIN 16742 TG8	Plastics moulded parts – Tolerances and acceptance conditions
ISO 8611	Pallets for materials handling -Flat pallets - Part 1: Test methods

## 3 APPLICATION

ESD Plastic – pallet, range for general use and for ESD areas and ESD-KLTs.

#### 4 SPECIFICATION

Pallet in accordance with DIN 55423-5/-6, but variations in material to be used and thereby conditional deviations in the dimensions and tolerances, enhanced pallet skid design.

Nominal dimensions	1200 x 800 x 160 mm
External dimensions	1192 x 805 x 164 mm
Base frame construction	3 skid - pallet Vertical entry and bottom openings for lifting devices: 100 mm on front side
Underrideability	4-way - entry pallet
Deck construction	Broken surface
[02] Skid design	Open bottom, unwelded
Locking	Circumferentially interrupted on the deck, high 7 mm
Color	RAL 9005 deep black
Material	PP-L, permanent conductible (ESD)
[02] Tare - weight	ca. 17,5 kg
Max. payload, static load	5.000 kg *
Max. payload, dynamic load	1.250 kg *
[02] Max. payload, in high rack	800 kg * (Two point edition)

\* Conditions: Evenly loaded/ large-area loading

ESD- compliancy according to IEC 61340-5-1

Identification with ESD- symbol RAL 1016 sulfur yellow, respectively on the long sides, right pallet skid permanently marked

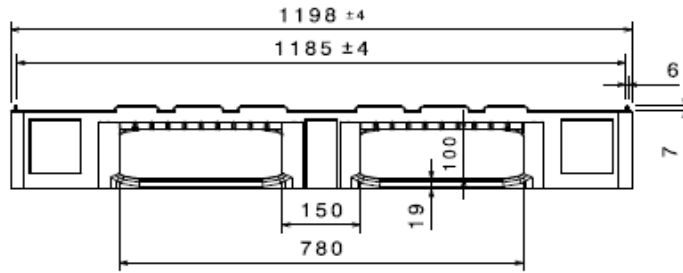
Identification with Continental logo RAL 1028 melon yellow, respectively on the long sides, left pallet skid, according to TST N 00155.50-000, permanently marked

Identification with SAP-Number **98-0789-1103-0-00**, RAL 1028 melon yellow, respectively on the long sides, left pallet skid, below the Continental Logos, permanently marked

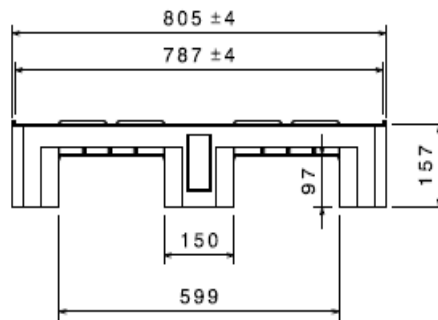
**4.1 Dimensions**  
[02]

Dimensions in millimeter [mm]  
Dimensions without tolerances according to DIN 16742 TG8

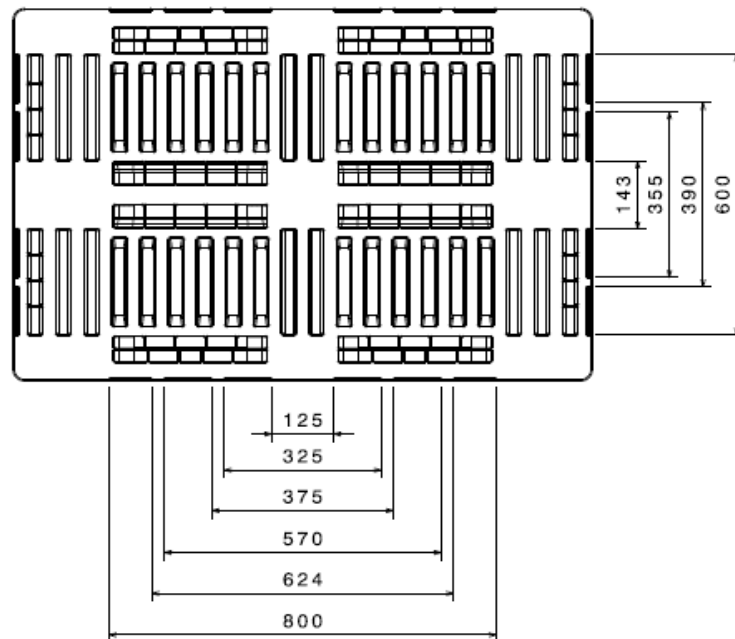
Long side:



Front side:



Top view:



#### 4.2 Bending data [02]

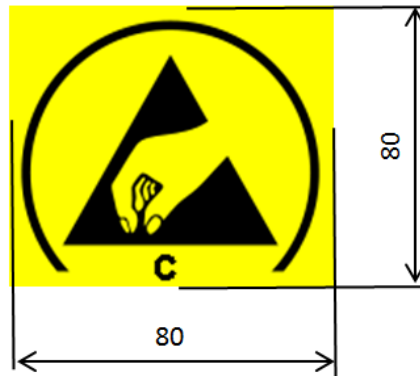
The deflection of a plastic pallet under load is normal. However, they must not be exceeded 21 mm (ISO 8611-2)

#### 4.2.1 Test precondition

Palette / Pallet:	H1 - ESD
Ausführung / Construction :	offene Kufen/ open runner
Material / Material :	PP-ESD
Gewicht / Weight :	17,5 kg
Belastungsart / Load type :	Flächenlast / distributed load
Aufbau / Configuration :	Granulatsäcke + Gewichtsplatte / Granulat sacks + steel weight plates
Prüfgewicht / Check weight :	800 kg
Prüfdauer / Duration of test :	100 Stunden / hours

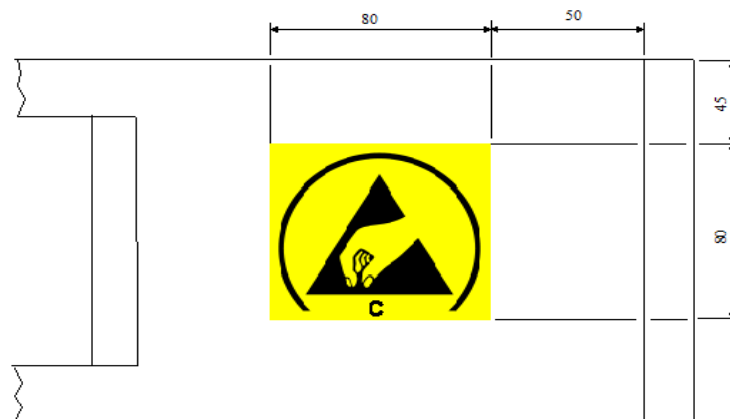
### 5 IDENTIFICATION

#### 5.1 ESD- Logo



Color: RAL 1016 sulfur yellow original- design

#### 5.2 Positioning of the printing of the right pallet skid



Position: Long side, right pallet skid, both sides

### 5.3 Continental Logo



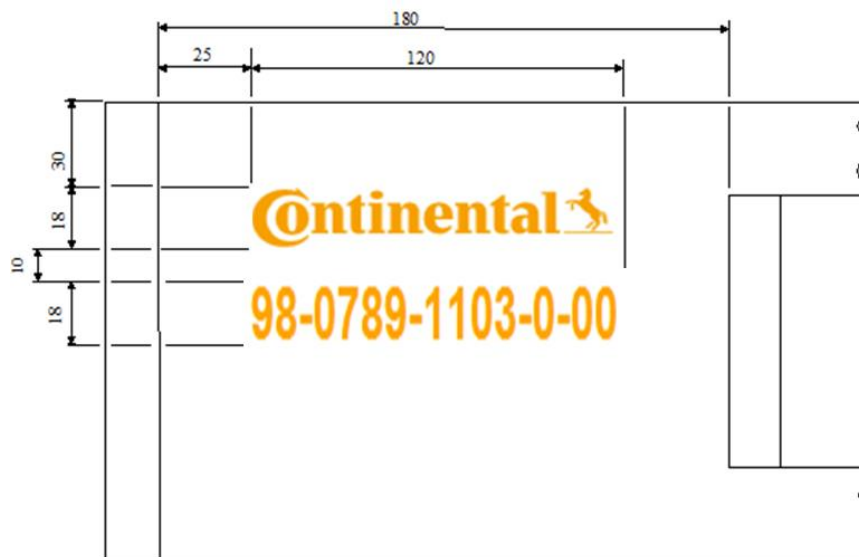
Color: RAL 1028 melon yellow  
Logo-print: according to TST N 00155.50

### 5.4 SAP - Packaging-part-number



Color: RAL 1028 Melon yellow  
Font: Arial

### 5.5 Positioning of the printing on the left pallet skid



Position: Long side, left pallet skid, both sides