



Message Implementation Guideline

GLOBAL REMADV

based on

REMADV

Remittance advice message

UN D.03A S3

Version: JAI 1.1

Variant: Conti

Issue date: 31.10.2008

Author: CONTINENTAL

Structure / Table of Contents

Tag	St	MaxOcc	Content
UNA	O	1	Service string advice UNA:+.? '
UNB	M	1	Interchange header UNB+UNOC:3+OD012345:59:123+987654321:1:X+071205:1446+144659+++++1'
UNH	M	1	Message header UNH+1+REMA DV:D:04A:UN:GMI041'
BGM	M	1	Beginning of message BGM+481::6+2004-02:1:0+9'
DTM	M	1	Document issue date DTM+137:20041001:102'
DTM	O	1	Payment date DTM+138:20041005:102'
RFF	O	1	Bank order reference RFF+PQ:20040101-222'
FII	O	1	Seller's or (exclusive) payee's financial institution information FII+SE+588382800:Wholesale Inc.+DECIBA:150:114:::Detroit City Bank'
PAI	O	1	Payment instructions PAI:::20::6'
SG1	R	1	Buyer Party
NAD	M	1	Name and address NAD+BY+321456::91++Name1:Name2+Street1:Street2++++DE'
SG2	O	1	Internal account number
RFF	M	1	Internal account number RFF+ADE:123ABC'
SG3	O	1	Information contact
CTA	M	1	Information contact CTA+IC+:Meier'
COM	O	5	Communication means COM+001 248 324588:TE'
SG3	O	1	Accounting contact
CTA	M	1	Contact information CTA+AD+:A. Brunetti'
COM	C	5	Communication means COM+X:TE'
SG1	R	1	Seller Party
NAD	M	1	Name and address NAD+SE+123ABC::92++X:X:X+X++X+AD'
SG2	O	1	Internal account number
RFF	M	1	Internal account number RFF+ADE:98765'
SG3	O	1	Information contact
CTA	M	1	Information contact CTA+IC+:M. Miller'
COM	O	5	Communication means COM+0049 30 97991433:FX'
SG3	O	1	Accounting contact
CTA	M	1	Contact information CTA+AD+:B. Lee'

MaxOcc = Maximum occurrence of the segment/group St = Status: M=Mandatory, C=Conditional, R=Required, O=Optional, D=Dependent, A=Advised, N=Not used

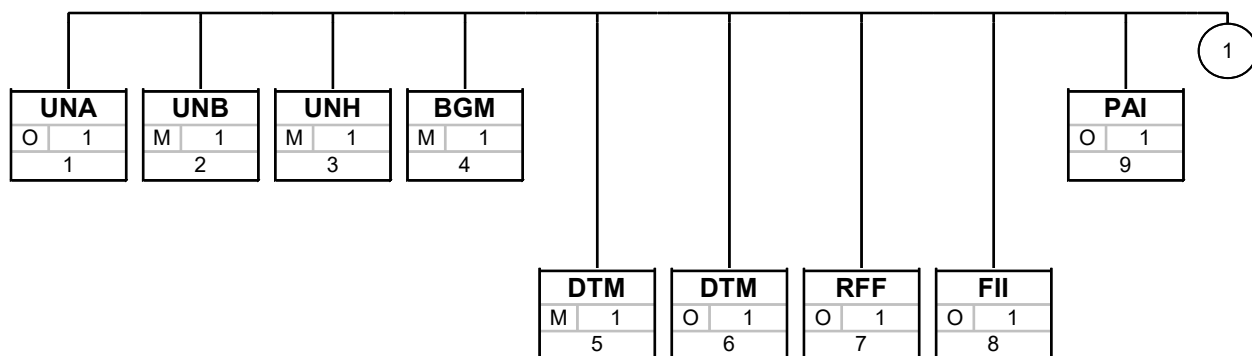
Tag	St	MaxOcc	Content
COM	O	5	Communication means COM+accounts@sales.com:EM'
SG1	D	1	Payee Party
NAD	M	1	Name and address NAD+PE+123ABC::92++Name1:Name2+Street1:Street2+City++12345+DE'
SG2	O	1	Internal account number
RFF	M	1	Internal account number RFF+ADE:98765'
SG3	O	1	Information contact
CTA	M	1	Information contact CTA+IC+:Eric Smith'
COM	O	5	Communication means COM+0044123456677:TE'
SG1	D	1	Payor Party
NAD	M	1	Name and address NAD+PL+123ABC::92++Name1:Name2+Street1:Street2+City++12345+DE'
SG2	O	1	Internal account number
RFF	M	1	Internal account ID RFF+ADE:44332'
SG3	O	1	Information contact
CTA	M	1	Information contact CTA+IC+:E.T. Hoffmann'
COM	O	5	Communication means COM+001 248 343434:FX'
SG4	R	1	Payment currency
CUX	M	1	Currencies CUX+2:EUR:11'
SG5	R	999999	Covered accounting documents
DOC	M	1	Document/message details DOC+380::6+2004/0098::Seller'
MOA	R	1	Payment amount MOA+340:900:USD'
MOA	O	1	Original amount / Gross amount MOA+339:900:USD'
MOA	O	1	Payment discount amount MOA+52:18:USD'
MOA	O	5	Other amounts MOA+129:900:USD'
DTM	O	1	Issuer's document date DTM+137:20041202:102'
DTM	O	1	Shipment Date DTM+10:20041110:102'
DTM	O	5	Receiving Date DTM+310:20041111:102'
DTM	O	5	Other reference dates DTM+11:20041110:102'
RFF	O	1	Buyer's Transaction Identification (Scan code) RFF+AIJ:ACC3321'
RFF	O	1	Buyer's booking ID RFF+AV:XX-2004-12-01-877'

MaxOcc = Maximum occurrence of the segment/group St = Status: M=Mandatory, C=Conditional, R=Required, O=Optional, D=Dependent, A=Advised, N=Not used

Tag	St	MaxOcc	Content
RFF	O	1	Buyer's sub entity description RFF+PE:Plant ABC'
RFF	O	5	Other reference RFF+BM:123-123:020'
SG9	O	5	Payment information text
INP	M	1	Parties and instruction INP+5+2'
FTX	O	5	Free text FTX+PMD+++Payment text :::Payment text+en'
SG10	O	9999	Line item reference
DLI	M	1	Document line identification DLI+1+000400'
PIA	O	5	Additional product id PIA+1+XZ-1324:IN+123-444:AB+99887766:MF+030:PL+2004-1654:PO'
UNS	M	1	Section control UNS+S'
MOA	M	1	Total payment amount MOA+12:900:USD'
MOA	O	1	Total discount amount MOA+138:18:USD'
MOA	O	1	Original amount MOA+98:900:USD'
UNT	M	1	Message trailer UNT+50+1'
UNZ	M	1	Interchange trailer UNZ+1+144659'

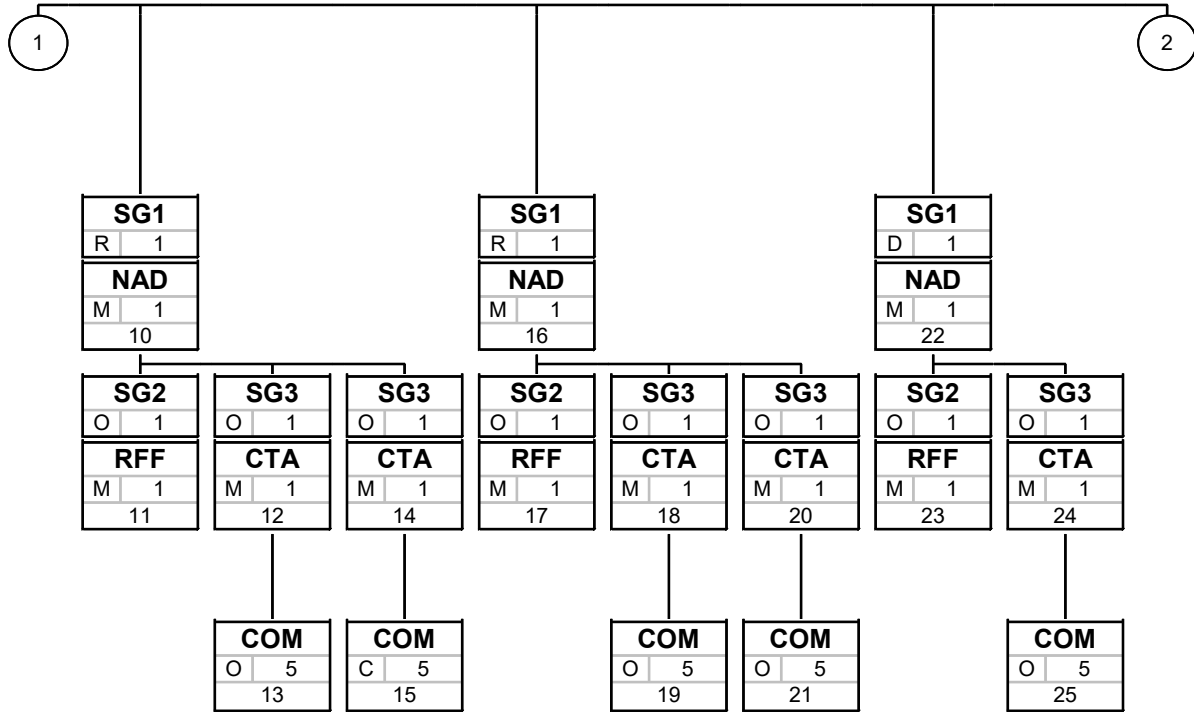
MaxOcc = Maximum occurrence of the segment/group St = Status: M=Mandatory, C=Conditional, R=Required, O=Optional, D=Dependent, A=Advised, N=Not used

Branching Diagram of Used Segments/Groups



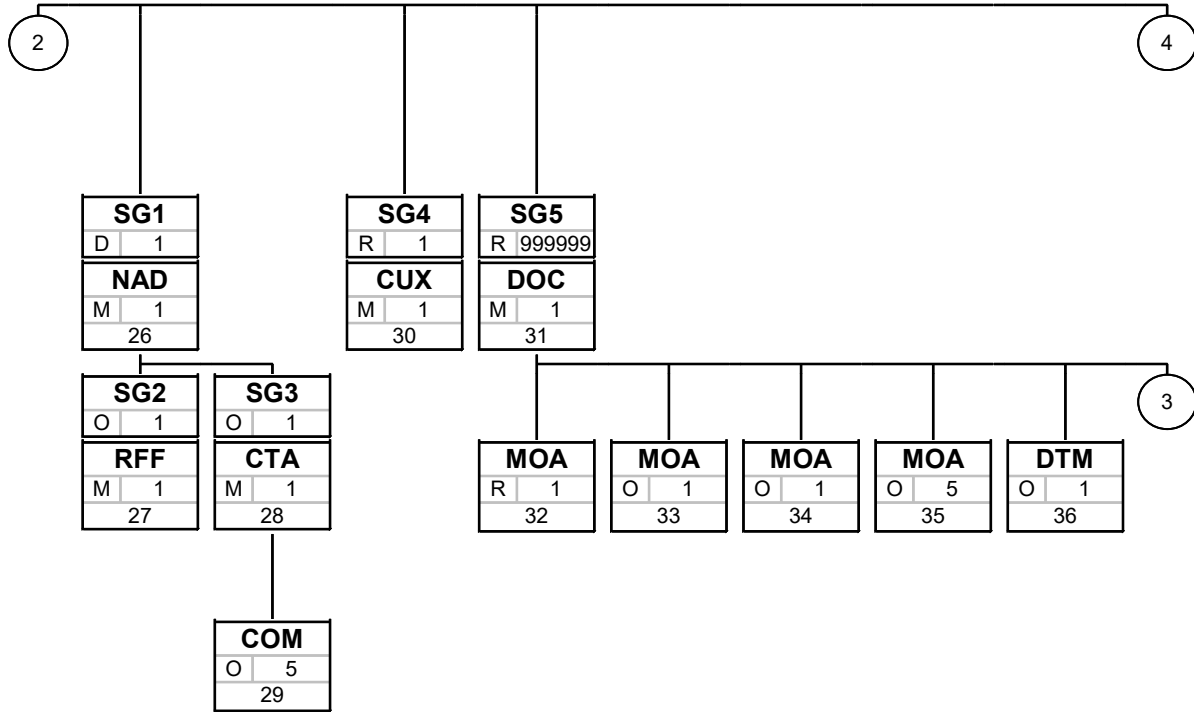
Tag
St MaxOcc
No

Tag = Segment/Group Tag
 St = Status: M=Mandatory, C=Conditional, R=Required, O=Optional, D=Dependent, A=Advised, N=Not used
 MaxOcc = Maximum occurrence of the segment/group
 No = Consecutive segment number



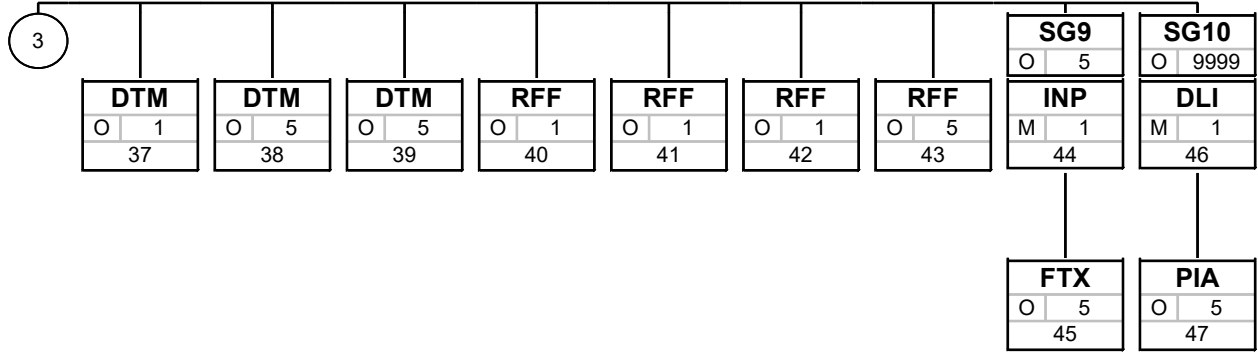
Tag
St MaxOcc
No

Tag = Segment/Group Tag
 St = Status: M=Mandatory, C=Conditional, R=Required, O=Optional, D=Dependent, A=Advised, N=Not used
 MaxOcc = Maximum occurrence of the segment/group
 No = Consecutive segment number



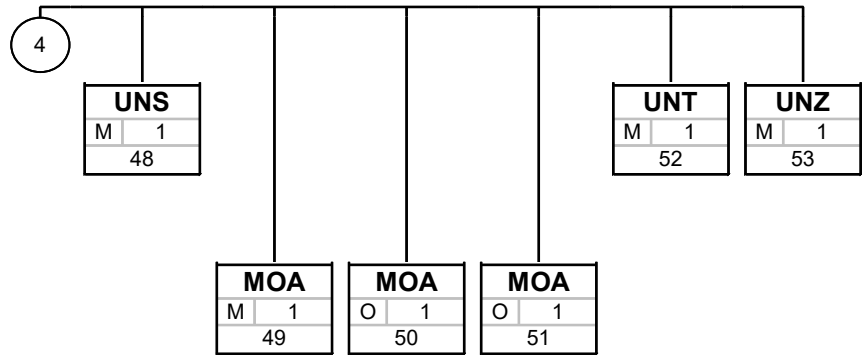
Tag
St MaxOcc
No

Tag = Segment/Group Tag
 St = Status: M=Mandatory, C=Conditional, R=Required, O=Optional, D=Dependent, A=Advised, N=Not used
 MaxOcc = Maximum occurrence of the segment/group
 No = Consecutive segment number



Tag
St MaxOcc
No

Tag = Segment/Group Tag
 St = Status: M=Mandatory, C=Conditional, R=Required, O=Optional, D=Dependent, A=Advised, N=Not used
 MaxOcc = Maximum occurrence of the segment/group
 No = Consecutive segment number



Tag
St MaxOcc
No

Tag = Segment/Group Tag
 St = Status: M=Mandatory, C=Conditional, R=Required, O=Optional, D=Dependent, A=Advised, N=Not used
 MaxOcc = Maximum occurrence of the segment/group
 No = Consecutive segment number

Segments

Tag	St	MaxOcc
-----	----	--------

UNA

O 1 Service string advice

		EDIFACT	Conti		
Tag	Name	St Format	St	Format	Usage / Remark
UNA1	Component data element separator	M an1	M	an1	Colon
UNA2	Data element separator	M an1	M	an1	Plus sign
UNA3	Decimal notation	M an1	M	an1	Full stop
UNA4	Release indicator	M an1	M	an1	Question mark
UNA5	Reserved for future use	M an1	M	an1	
UNA6	Segment terminator	M an1	M	an1	Apostrophe

Remark:

Example: UNA: + . ? '

MaxOcc = Maximum occurrence of the segment/group St = Status: M=Mandatory, C=Conditional, R=Required, O=Optional, D=Dependent, A=Advised, N=Not used

Tag	St	MaxOcc
-----	----	--------

UNB M 1 Interchange header

		EDIFACT	Conti		
Tag	Name	St Format	St	Format	Usage / Remark
S001	Syntax identifier	M	M		
0001	Syntax identifier	M a4	M	a4	UNOC UN/ECE level C 3 Version 3
0002	Syntax version number	M n1	M	n1	
S002	Interchange sender	M	M		
0004	Sender identification	M an..35	M	an..35	Unique ID of the sender in the data transmission network or system.
0007	Partner identification code qualifier	C an..4	O	an..4	
0008	Address for reverse routing	C an..14	O	an..14	Address of an application or internal system at sender's site to which answer messages should be routed.
S003	Interchange recipient	M	M		
0010	Recipient identification	M an..35	M	an..35	Unique ID of the receiver in the data transmission network or system.
0007	Partner identification code qualifier	C an..4	O	an..4	
0014	Routing address	C an..14	C	an..14	Address of an application or internal system at recipient's site.
S004	Date/time of preparation	M	M		
0017	Date of preparation	M n6	M	n6	Format YYMMDD
0019	Time of preparation	M n4	M	n4	Format HHMM
0020	Interchange control reference	M an..14	M	an..14	Unique ID of an interchange.
S005	Recipient's reference, password		N		
0022	Recipient's reference/password	an..14	N		Not used
0025	Recipient's reference/password qualifier	an2	N		Not used
0026	Application reference	an..14	N		Not used
0029	Processing priority code	a1	N		Not used
0031	Acknowledgement request	n1	N		Not used
0032	Communications agreement ID	an..35	N		Not used
0035	Test indicator	C n1	O	n1	1 Interchange is a test Only to be used, if the interchange is for test purposes. Omit this data element for valid interchanges.

Remark:

Example: UNB+UNOC:3+OD012345:59:123+987654321:1:X+071205:1446+144659+++++1'

MaxOcc = Maximum occurrence of the segment/group St = Status: M=Mandatory, C=Conditional, R=Required, O=Optional, D=Dependent, A=Advised, N=Not used

Tag	St	MaxOcc	
UNH	M	1	Message header

EDIFACT			Conti		
Tag	Name	St Format	St	Format	Usage / Remark
0062	Message reference number	M an..14	M	an..14	Message number within the interchange: a consecutive number, usually starting with one
S009	Message identifier	M	M		
0065	Message type	M an..6	M	an..6	REMADV Remittance advice message
0052	Message version number	M an..3	M	an..3	D Draft version/UN/EDIFACT Directory
0054	Message release number	M an..3	M	an..3	04A Release 2004 - A
0051	Controlling agency	M an..2	M	an..2	UN UN/CEFACT
0057	Association assigned code	C an..6	R	an..6	GMI041 Global Automotive Industry Remittance Advice Version 1
0068	Common access reference	an..35	N		Not used
S010	Status of the transfer		N		
0070	Sequence of transfers	n..2	N		Not used
0073	First and last transfer	a1	N		Not used

Remark:

Example: UNH+1+REMADV:D:04A:UN:GMI041'

MaxOcc = Maximum occurrence of the segment/group St = Status: M=Mandatory, C=Conditional, R=Required, O=Optional, D=Dependent, A=Advised, N=Not used

Tag	St	MaxOcc	
BGM	M	1	Beginning of message

		EDIFACT	Conti		
Tag	Name	St Format	St	Format	Usage / Remark
C002	Document/message name	C	R		
1001	Document name code	C an..3	R	an..3	481 Remittance advice Additional codes for distinction of the 'flavour' will be necessary.
1131	Code list identification code	an..17	N		Not used
3055	Code list responsible agency code	C an..3	O	an..3	6 UN/ECE (United Nations - Economic Commission for Europe)
1000	Document name	an..35	N		Not used
C106	Document/message identification	C	C		
1004	Document identifier	C an..17	R	an..17	Document number as assigned by the issuer
1056	Version identifier	C an..9	O	an..9	
1060	Revision identifier	C an..6	O	an..6	
1225	Message function code	C an..3	O	an..3	9 Original
4343	Response type code	an..3	N		Not used

Remark:

Example: BGM+481:::6+2004-02:1:0+9'

Tag	St	MaxOcc
-----	----	--------

DTM M 1 Document issue date

Document issue date

EDIFACT			Conti		
Tag	Name	St Format	St	Format	Usage / Remark
C507	Date/time/period	M	M		
2005	Date or time or period function code qualifier	M an..3	M	an..3	137 Document issue date time
2380	Date or time or period text	C an..35	R	an..35	
2379	Date or time or period format code	C an..3	R	an..3	102 CCYYMMDD

Remark:

Example: DTM+137:20041001:102'

Tag	St	MaxOcc
-----	----	--------

DTM O 1 Payment date

Payment date

EDIFACT			Conti		
Tag	Name	St Format	St	Format	Usage / Remark
C507	Date/time/period	M	M		
2005	Date or time or period function code qualifier	M an..3	M	an..3	138 Payment availability date time
2380	Date or time or period text	C n..14	R	n..14	
2379	Date or time or period format code	C an..3	R	an..3	102 CCYYMMDD

Remark:

Example: DTM+138:20041005:102'

Tag	St	MaxOcc
-----	----	--------

RFF O 1 Bank order reference

Bank order reference

EDIFACT			Conti		
Tag	Name	St Format	St	Format	Usage / Remark
C506	Reference	M	M		
1153	Reference code qualifier	M an..3	M	an..3	PQ Payment reference
1154	Reference identifier	C an..17	R	an..17	?? Information ist redundant, im BGM und hier. Dieses Segment nicht verwenden?
1156	Document line identifier	an..6	N		Not used
4000	Reference version identifier	an..35	N		Not used
1060	Revision identifier	an..6	N		Not used

Remark:

Example: RFF+PQ:20040101-222'

MaxOcc = Maximum occurrence of the segment/group St = Status: M=Mandatory, C=Conditional, R=Required, O=Optional, D=Dependent, A=Advised, N=Not used

Tag	St	MaxOcc
-----	----	--------

FII O 1 **Seller's or (exclusive) payee's financial institution information**

Seller's or (exclusive) payee's financial institution information

EDIFACT			Conti		
Tag	Name	St Format	St	Format	Usage / Remark
3035	Party function code qualifier	M an..3	M	an..3	SE Seller PE Payee
C078	Account holder identification	C	R		
3194	Account holder identifier	C an..35	R	an..35	
3192	Account holder name	C an..35	O	an..35	
3192	Account holder name	an..35	N		Not used
6345	Currency identification code	an..3	N		Not used
C088	Institution identification	C	C		
3433	Institution name code	C an..11	O	an..11	Identification of the financial institution by an identifier.
1131	Code list identification code	C an..17	O	an..17	150
3055	Code list responsible agency code	C an..3	C	an..3	92 Assigned by buyer or buyer's agent 114 US, ABA (American Bankers Association) 17 S.W.I.F.T.
3434	Institution branch identifier	C an..17	O	an..17	Bank identification code
1131	Code list identification code	C an..17	O	an..17	
3055	Code list responsible agency code	C an..3	O	an..3	
3432	Institution name	C an..35	O	an..35	
3436	Institution branch location name	an..70	N		Not used
3207	Country name code	an..3	N		Not used

Remark:

Example: FII+SE+588382800:Wholesale Inc.+DECIBA:150:114::::Detroit City Bank'

EDIFACT			Conti		Usage / Remark
Tag	Name	St Format	St	Format	
					31 Bank transfer 40 Non defined remittance 41 Remittance to bank account 42 Remittance to other-than-bank account 43 Remittance to direct clearing account 44 Remittance to indirect clearing acc. (to a 3rd party) 45 Remittance to current account 50 Non defined standing orders 51 Permanent standing order (bank) 52 Temporary standing order (bank) 53 Permanent standing order (other than bank) 54 Temporary standing order (other than bank) 55 Direct debit (1) Odette/JAI Code - to be used in conjunction with Code 10 (Odette) or 272 (JAIF) in data element 3055.
1131	Code list identification code	an..17	N		Not used
3055	Code list responsible agency code	C an..3	O	an..3	6 UN/ECE (United Nations - Economic Commission for Europe) 10 ODETTE 272 Joint Automotive Industry agency It is recommended to use code 272 for codes not included in the UN/EDIFACT standard code list. Regional code lists are scheduled to be united in a common code list of the joint automotive industry.
4435	Payment channel code	an..3	N		Not used

Remark:

Example: PAI+:::20:::6'

Tag	St	MaxOcc	
SG1	R	1	Buyer Party
Buyer Party			
NAD	M	1	Name and address

EDIFACT			Conti		
Tag	Name	St Format	St	Format	Usage / Remark
3035	Party function code qualifier	M an..3	M	an..3	BY Buyer
C082	Party identification details	C	R		
3039	Party identifier	M an..35	R	an..35	
1131	Code list identification code	an..17	N		Not used
3055	Code list responsible agency code	C an..3	R	an..3	91 Assigned by seller or seller's agent
C058	Name and address		N		
3124	Name and address description	an..35	N		Not used
3124	Name and address description	an..35	N		Not used
3124	Name and address description	an..35	N		Not used
3124	Name and address description	an..35	N		Not used
3124	Name and address description	an..35	N		Not used
C080	Party name	C	O		
3036	Party name	M an..35	M	an..35	
3036	Party name	C an..35	O	an..35	see 3036 # 1
3036	Party name	an..35	N		Not used
3036	Party name	an..35	N		Not used
3036	Party name	an..35	N		Not used
3045	Party name format code	an..3	N		Not used
C059	Street	C	O		
3042	Street and number or post office box identifier	M an..35	M	an..35	
3042	Street and number or post office box identifier	C an..35	O	an..35	see 3042 # 1
3042	Street and number or post office box identifier	an..35	N		Not used
3042	Street and number or post office box identifier	an..35	N		Not used
3164	City name	C an..35	O	an..35	
C819	Country sub-entity details		N		
3229	Country sub-entity name code	an..9	N		Not used
1131	Code list identification code	an..17	N		Not used
3055	Code list responsible agency code	an..3	N		Not used
3228	Country sub-entity name	an..70	N		Not used
3251	Postal identification code	C an..9	O	an..9	
3207	Country name code	C an..3	O	an..3	

Remark:

Example: NAD+BY+321456::91++Name1:Name2+Street1:Street2++++DE'

MaxOcc = Maximum occurrence of the segment/group St = Status: M=Mandatory, C=Conditional, R=Required, O=Optional, D=Dependent, A=Advised, N=Not used

Tag	St	MaxOcc	
-----	----	--------	--

SG2 O 1 Internal account number
Internal account number

RFF M 1 Internal account number
Internal account number

EDIFACT			Conti		
Tag	Name	St Format	St	Format	Usage / Remark
C506	Reference	M	M		
1153	Reference code qualifier	M an..3	M	an..3	ADE Account number
1154	Reference identifier	C an..35	R	an..35	
1156	Document line identifier	an..6	N		Not used
4000	Reference version identifier	an..35	N		Not used
1060	Revision identifier	an..6	N		Not used

Remark:

Example: RFF+ADE:123ABC'

Tag	St	MaxOcc	
-----	----	--------	--

SG3 O 1 **Information contact**
Information contact

CTA M 1 **Information contact**
Information contact

EDIFACT			Conti		
Tag	Name	St Format	St	Format	Usage / Remark
3139	Contact function code	C an..3	R	an..3	IC Information contact
C056	Department or employee details	C	R		
3413	Department or employee name code	C an..17	O	an..17	
3412	Department or employee name	C an..35	O	an..35	

Remark:

Example: CTA+IC+:Meier'

Tag	St	MaxOcc	
-----	----	--------	--

SG3	O	1	Information contact
------------	---	---	---------------------

Information contact

COM	O	5	Communication means
------------	---	---	---------------------

Communication means

EDIFACT			Conti			Usage / Remark
Tag	Name	St Format	St	Format		
C076	Communication contact	M	M			
3148	Communication address identifier	M an..100	M	an..100		
3155	Communication address code qualifier	M an..3	M	an..3		TE Telephone EX Extension FX Telefax EM Electronic mail IM Internal mail

Remark:

Example: COM+001 248 324588:TE'

Tag	St	MaxOcc	
SG3	O	1	Accounting contact
Accounting contact			
CTA	M	1	Contact information

EDIFACT			Conti		
Tag	Name	St Format	St	Format	Usage / Remark
3139	Contact function code	C an..3	R	an..3	AD Accounting contact
C056	Department or employee details	C	R		
3413	Department or employee name code	C an..17	O	an..17	
3412	Department or employee name	C an..35	O	an..35	

Remark:

Example: CTA+AD+:A. Brunetti'

Tag	St	MaxOcc	
-----	----	--------	--

SG3 O 1 **Accounting contact**
Accounting contact

COM C 5 **Communication means**
Communication means

EDIFACT			Conti			Usage / Remark
Tag	Name	St Format	St	Format		
C076	Communication contact	M	M			
3148	Communication address identifier	M an..100	M	an..100		
3155	Communication address code qualifier	M an..3	M	an..3		TE Telephone EX Extension FX Telefax EM Electronic mail IM Internal mail

Remark:

Example: COM+X:TE'

Tag	St	MaxOcc	
SG1	R	1	Seller Party
Seller Party			
NAD	M	1	Name and address

EDIFACT			Conti		
Tag	Name	St Format	St	Format	Usage / Remark
3035	Party function code qualifier	M an..3	M	an..3	SE Seller
C082	Party identification details	C	R		
3039	Party identifier	M an..35	R	an..35	
1131	Code list identification code	an..17	N		Not used
3055	Code list responsible agency code	C an..3	R	an..3	92 Assigned by buyer or buyer's agent
C058	Name and address		N		
3124	Name and address description	an..35	N		Not used
3124	Name and address description	an..35	N		Not used
3124	Name and address description	an..35	N		Not used
3124	Name and address description	an..35	N		Not used
3124	Name and address description	an..35	N		Not used
C080	Party name	C	O		
3036	Party name	M an..35	M	an..35	
3036	Party name	C an..35	O	an..35	see 3036 # 1
3036	Party name	an..35	N		Not used
3036	Party name	an..35	N		Not used
3036	Party name	an..35	N		Not used
3045	Party name format code	an..3	N		Not used
C059	Street	C	O		
3042	Street and number or post office box identifier	M an..35	M	an..35	
3042	Street and number or post office box identifier	C an..35	O	an..35	see 3042 # 1
3042	Street and number or post office box identifier	an..35	N		Not used
3042	Street and number or post office box identifier	an..35	N		Not used
3164	City name	C an..35	O	an..35	
C819	Country sub-entity details		N		
3229	Country sub-entity name code	an..9	N		Not used
1131	Code list identification code	an..17	N		Not used
3055	Code list responsible agency code	an..3	N		Not used
3228	Country sub-entity name	an..70	N		Not used
3251	Postal identification code	C an..9	O	an..9	
3207	Country name code	C an..3	O	an..3	

Remark:

Example: NAD+SE+123ABC:::92++X:X+X:X+X++X+AD'

MaxOcc = Maximum occurrence of the segment/group St = Status: M=Mandatory, C=Conditional, R=Required, O=Optional, D=Dependent, A=Advised, N=Not used

Tag	St	MaxOcc	
-----	----	--------	--

SG2 O 1 Internal account number
Internal account number

RFF M 1 Internal account number
Internal account number

EDIFACT			Conti		
Tag	Name	St Format	St	Format	Usage / Remark
C506	Reference	M	M		
1153	Reference code qualifier	M an..3	M	an..3	ADE Account number
1154	Reference identifier	C an..35	R	an..35	
1156	Document line identifier	an..6	N		Not used
4000	Reference version identifier	an..35	N		Not used
1060	Revision identifier	an..6	N		Not used

Remark:

Example: RFF+ADE:98765'

Tag	St	MaxOcc	
-----	----	--------	--

SG3 O 1 **Information contact**
Information contact

CTA M 1 **Information contact**
Information contact

EDIFACT			Conti		
Tag	Name	St Format	St	Format	Usage / Remark
3139	Contact function code	C an..3	R	an..3	IC Information contact
C056	Department or employee details	C	R		
3413	Department or employee name code	C an..17	O	an..17	
3412	Department or employee name	C an..35	O	an..35	

Remark:

Example: CTA+IC+:M. Miller'

Tag	St	MaxOcc	
-----	----	--------	--

SG3	O	1	Information contact
------------	---	---	---------------------

Information contact

COM	O	5	Communication means
------------	---	---	---------------------

Communication means

EDIFACT			Conti			Usage / Remark
Tag	Name	St Format	St	Format		
C076	Communication contact	M	M			
3148	Communication address identifier	M an..100	M	an..100		
3155	Communication address code qualifier	M an..3	M	an..3		TE Telephone EX Extension FX Telefax EM Electronic mail IM Internal mail

Remark:

Example: COM+0049 30 97991433:FX'

Tag	St	MaxOcc	
-----	----	--------	--

SG3	O	1	Accounting contact
------------	---	---	---------------------------

Accounting contact

CTA	M	1	Contact information
------------	---	---	----------------------------

EDIFACT			Conti		
Tag	Name	St Format	St	Format	Usage / Remark
3139	Contact function code	C an..3	R	an..3	AD Accounting contact
C056	Department or employee details	C	R		
3413	Department or employee name code	C an..17	O	an..17	
3412	Department or employee name	C an..35	O	an..35	

Remark:

Example: CTA+AD+:B. Lee'

Tag	St	MaxOcc	
-----	----	--------	--

SG3 O 1 **Accounting contact**
Accounting contact

COM O 5 **Communication means**
Communication means

EDIFACT			Conti			
Tag	Name	St Format	St	Format	Usage / Remark	
C076	Communication contact	M	M			
3148	Communication address identifier	M an..100	M	an..100		
3155	Communication address code qualifier	M an..3	M	an..3	TE Telephone FX Telefax EM Electronic mail IM Internal mail EX Extension	

Remark:

Example: COM+accounts@sales.com:EM'

Tag	St	MaxOcc	
SG1	D	1	Payee Party
Payee Party			
NAD	M	1	Name and address

EDIFACT			Conti		
Tag	Name	St Format	St	Format	Usage / Remark
3035	Party function code qualifier	M an..3	M	an..3	PE Payee
C082	Party identification details	C	O		
3039	Party identifier	M an..35	R	an..35	
1131	Code list identification code	an..17	N		Not used
3055	Code list responsible agency code	C an..3	R	an..3	16 US, D&B (Dun & Bradstreet Corporation) 91 Assigned by seller or seller's agent 92 Assigned by buyer or buyer's agent 289 JP,JIPDEC/ECPC (Japan Information Processing Development Center / Electronic Commerce Promotion Center)
C058	Name and address		N		
3124	Name and address description	an..35	N		Not used
3124	Name and address description	an..35	N		Not used
3124	Name and address description	an..35	N		Not used
3124	Name and address description	an..35	N		Not used
3124	Name and address description	an..35	N		Not used
C080	Party name	C	O		
3036	Party name	M an..35	M	an..35	
3036	Party name	C an..35	O	an..35	see 3036 # 1
3036	Party name	an..35	N		Not used
3036	Party name	an..35	N		Not used
3036	Party name	an..35	N		Not used
3045	Party name format code	an..3	N		Not used
C059	Street	C	O		
3042	Street and number or post office box identifier	M an..35	M	an..35	
3042	Street and number or post office box identifier	C an..35	O	an..35	see 3042 # 1
3042	Street and number or post office box identifier	an..35	N		Not used
3042	Street and number or post office box identifier	an..35	N		Not used
3164	City name	C an..35	O	an..35	
C819	Country sub-entity details		N		
3229	Country sub-entity name code	an..9	N		Not used
1131	Code list identification code	an..17	N		Not used
3055	Code list responsible agency code	an..3	N		Not used
3228	Country sub-entity name	an..70	N		Not used
3251	Postal identification code	C an..17	O	an..17	
3207	Country name code	C an..3	O	an..3	

Remark:

Example: NAD+PE+123ABC::92++Name1:Name2+Street1:Street2+City++12345+DE'

MaxOcc = Maximum occurrence of the segment/group St = Status: M=Mandatory, C=Conditional, R=Required, O=Optional, D=Dependent, A=Advised, N=Not used

Tag	St	MaxOcc	
-----	----	--------	--

SG2 O 1 Internal account number
Internal account number

RFF M 1 Internal account number
Internal account number

EDIFACT			Conti		
Tag	Name	St Format	St	Format	Usage / Remark
C506	Reference	M	M		
1153	Reference code qualifier	M an..3	M	an..3	ADE Account number
1154	Reference identifier	C an..35	R	an..35	
1156	Document line identifier	an..6	N		Not used
4000	Reference version identifier	an..35	N		Not used
1060	Revision identifier	an..6	N		Not used

Remark:

Example: RFF+ADE:98765'

Tag	St	MaxOcc	
-----	----	--------	--

SG3	O	1	Information contact
------------	---	---	---------------------

Information contact

CTA	M	1	Information contact
------------	---	---	---------------------

Information contact

EDIFACT			Conti		
Tag	Name	St Format	St	Format	Usage / Remark
3139	Contact function code	C an..3	R	an..3	IC Information contact
C056	Department or employee details	C	R		
3413	Department or employee name code	C an..17	O	an..17	
3412	Department or employee name	C an..35	O	an..35	

Remark:

Example: CTA+IC+:Eric Smith'

Tag	St	MaxOcc	
-----	----	--------	--

SG3 O 1 **Information contact**
Information contact

COM O 5 **Communication means**
Communication means

EDIFACT			Conti			Usage / Remark
Tag	Name	St Format	St	Format		
C076	Communication contact	M	M			
3148	Communication address identifier	M an..100	R	an..100		
3155	Communication address code qualifier	M an..3	M	an..3		TE Telephone EX Extension FX Telefax EM Electronic mail IM Internal mail

Remark:

Example: COM+0044123456677:TE'

Tag	St	MaxOcc	
SG1	D	1	Payor Party
Payor Party			
NAD	M	1	Name and address

EDIFACT			Conti		
Tag	Name	St Format	St	Format	Usage / Remark
3035	Party function code qualifier	M an..3	M	an..3	PL
C082	Party identification details	C	O		
3039	Party identifier	M an..35	M	an..35	
1131	Code list identification code	an..17	N		Not used
3055	Code list responsible agency code	C an..3	R	an..3	16 US, D&B (Dun & Bradstreet Corporation) 91 Assigned by seller or seller's agent 92 Assigned by buyer or buyer's agent 289 JP,JIPDEC/ECPC (Japan Information Processing Development Center / Electronic Commerce Promotion Center)
C058	Name and address		N		
3124	Name and address description	an..35	N		Not used
3124	Name and address description	an..35	N		Not used
3124	Name and address description	an..35	N		Not used
3124	Name and address description	an..35	N		Not used
3124	Name and address description	an..35	N		Not used
C080	Party name	C	O		
3036	Party name	M an..35	M	an..35	see 3124 # 1
3036	Party name	C an..35	O	an..35	see 3124 # 1
3036	Party name	an..35	N		Not used
3036	Party name	an..35	N		Not used
3036	Party name	an..35	N		Not used
3045	Party name format code	an..3	N		Not used
C059	Street	C	O		
3042	Street and number or post office box identifier	M an..35	M	an..35	
3042	Street and number or post office box identifier	C an..35	O	an..35	see 3124 # 1
3042	Street and number or post office box identifier	an..35	N		Not used
3042	Street and number or post office box identifier	an..35	N		Not used
3164	City name	C an..35	O	an..35	
C819	Country sub-entity details		N		
3229	Country sub-entity name code	C an..9	O	an..9	see 3036 # 1
1131	Code list identification code	an..17	N		Not used
3055	Code list responsible agency code	an..3	N		Not used
3228	Country sub-entity name	an..70	N		Not used
3251	Postal identification code	C an..17	O	an..17	
3207	Country name code	C an..3	O	an..3	

Remark:

Example: NAD+PL+123ABC::92++Name1:Name2+Street1:Street2+City++12345+DE'

MaxOcc = Maximum occurrence of the segment/group St = Status: M=Mandatory, C=Conditional, R=Required, O=Optional, D=Dependent, A=Advised, N=Not used

Tag	St	MaxOcc	
-----	----	--------	--

SG2 O 1 Internal account number
Internal account number

RFF M 1 Internal account ID
Internal account ID

EDIFACT			Conti		
Tag	Name	St Format	St	Format	Usage / Remark
C506	Reference	M	M		
1153	Reference code qualifier	M an..3	M	an..3	ADE Account number
1154	Reference identifier	C an..35	R	an..35	
1156	Document line identifier	an..6	N		Not used
4000	Reference version identifier	an..35	N		Not used
1060	Revision identifier	an..6	N		Not used

Remark:

Example: RFF+ADE:44332'

Tag	St	MaxOcc	
-----	----	--------	--

SG3 O 1 **Information contact**
Information contact

CTA M 1 **Information contact**
Information contact

EDIFACT			Conti		
Tag	Name	St Format	St	Format	Usage / Remark
3139	Contact function code	C an..3	C	an..3	IC Information contact
C056	Department or employee details	C	R		
3413	Department or employee name code	C an..17	O	an..17	
3412	Department or employee name	C an..35	O	an..35	

Remark:

Example: CTA+IC+:E.T. Hoffmann'

Tag	St	MaxOcc	
-----	----	--------	--

SG3 O 1 **Information contact**
Information contact

COM O 5 **Communication means**
Communication means

EDIFACT			Conti			Usage / Remark
Tag	Name	St Format	St	Format		
C076	Communication contact	M	M			
3148	Communication address identifier	M an..100	R	an..100		
3155	Communication address code qualifier	M an..3	M	an..3	TE Telephone EX Extension FX Telefax EM Electronic mail IM Internal mail	

Remark:

Example: COM+001 248 343434:FX'

Tag	St	MaxOcc
-----	----	--------

SG4 R 1 **Payment currency**

Payment currency

?? JADM - need to build a component for this. Put it immediately before jai: Monetary Amount.

CUX M 1 **Currencies**

EDIFACT			Conti		
Tag	Name	St Format	St	Format	Usage / Remark
C504	Currency details	C	R		
6347	Currency usage code qualifier	M an..3	M	an..3	2 Reference currency
6345	Currency identification code	C an..3	R	an..3	
6343	Currency type code qualifier	C an..3	O	an..3	11 Payment currency
6348	Currency rate	n..4	N		Not used
C504	Currency details		N		
6347	Currency usage code qualifier	an..3	N		Not used
6345	Currency identification code	an..3	N		Not used
6343	Currency type code qualifier	an..3	N		Not used
6348	Currency rate	n..4	N		Not used
5402	Currency exchange rate	n..12	N		Not used
6341	Exchange rate currency market identifier	an..3	N		Not used

Remark:

Example: CUX+2:EUR:11'

Tag	St	MaxOcc	
-----	----	--------	--

SG5 R 999999 **Covered accounting documents**
Covered accounting documents

DOC M 1 **Document/message details**

EDIFACT			Conti		
Tag	Name	St Format	St	Format	Usage / Remark
C002	Document/message name	M	M		
1001	Document name code	C an..3	R	an..3	380 Commercial invoice 381 Credit note 389 Self-billed invoice
1131	Code list identification code	an..17	N		Not used
3055	Code list responsible agency code	C an..3	R	an..3	6 UN/ECE (United Nations - Economic Commission for Europe)
1000	Document name	an..35	N		Not used
C503	Document/message details	C	O		
1004	Document identifier	C an..35	R	an..35	
1373	Document status code	an..3	N		Not used
1366	Document source description	C an..70	O	an..70	'Seller' or 'Buyer'
3453	Language name code	an..3	N		Not used
1056	Version identifier	an..9	N		Not used
1060	Revision identifier	an..6	N		Not used
3153	Communication medium type code	an..3	N		Not used
1220	Document copies required quantity	n..2	N		Not used
1218	Document originals required quantity	n..2	N		Not used

Remark:

Example: DOC+380::6+2004/0098::Seller'

MaxOcc = Maximum occurrence of the segment/group St = Status: M=Mandatory, C=Conditional, R=Required, O=Optional, D=Dependent, A=Advised, N=Not used

Tag	St	MaxOcc	
-----	----	--------	--

SG5 R 999999 **Covered accounting documents**
 Covered accounting documents

MOA R 1 **Payment amount**
 Payment amount

EDIFACT			Conti		
Tag	Name	St Format	St	Format	Usage / Remark
C516	Monetary amount	M	M		
5025	Monetary amount type code qualifier	M an..3	M	an..3	340 Original total net invoice value
5004	Monetary amount	C n..15	R	n..15	
6345	Currency identification code	C an..3	O	an..3	
6343	Currency type code qualifier	an..3	N		Not used
4405	Status description code	an..3	N		Not used

Remark:

Example: MOA+340:900:USD'

MaxOcc = Maximum occurrence of the segment/group St = Status: M=Mandatory, C=Conditional, R=Required, O=Optional, D=Dependent, A=Advised, N=Not used

Tag	St	MaxOcc	
-----	----	--------	--

SG5 R 999999 Covered accounting documents
 Covered accounting documents

MOA O 1 Original amount / Gross amount
 Original amount / Gross amount

EDIFACT			Conti		
Tag	Name	St Format	St	Format	Usage / Remark
C516	Monetary amount	M	M		
5025	Monetary amount type code qualifier	M an..3	M	an..3	339 Original invoice gross total value
5004	Monetary amount	C n..15	R	n..15	
6345	Currency identification code	C an..3	O	an..3	
6343	Currency type code qualifier	an..3	N		Not used
4405	Status description code	an..3	N		Not used

Remark:

Example: MOA+339:900:USD'

Tag	St	MaxOcc	
-----	----	--------	--

SG5 R 999999 Covered accounting documents
 Covered accounting documents

MOA O 1 Payment discount amount
 Payment discount amount

EDIFACT			Conti			
Tag	Name	St Format	St	Format	Usage / Remark	
C516	Monetary amount	M	M			
5025	Monetary amount type code qualifier	M an..3	M	an..3	52 Discount amount	
5004	Monetary amount	C n..15	R	n..15		
6345	Currency identification code	C an..3	O	an..3		
6343	Currency type code qualifier	an..3	N		Not used	
4405	Status description code	an..3	N		Not used	

Remark:

Example: MOA+52:18:USD'

MaxOcc = Maximum occurrence of the segment/group St = Status: M=Mandatory, C=Conditional, R=Required, O=Optional, D=Dependent, A=Advised, N=Not used

Tag	St	MaxOcc	
-----	----	--------	--

SG5 R 999999 **Covered accounting documents**
 Covered accounting documents

MOA O 5 **Other amounts**
 Other amounts

EDIFACT			Conti			
Tag	Name	St Format	St	Format	Usage / Remark	
C516	Monetary amount	M	M			
5025	Monetary amount type code qualifier	M an..3	M	an..3	5 Adjusted amount 11 Amount paid 53 Discount amount due 77 Invoice line item amount 98 Original amount 129 Total amount subject to payment discount 165 Adjustment amount	
5004	Monetary amount	C n..35	R	n..35		
6345	Currency identification code	C an..3	O	an..3		
6343	Currency type code qualifier	an..3	N		Not used	
4405	Status description code	an..3	N		Not used	

Remark:

Example: MOA+129:900:USD'

MaxOcc = Maximum occurrence of the segment/group St = Status: M=Mandatory, C=Conditional, R=Required, O=Optional, D=Dependent, A=Advised, N=Not used

Tag	St	MaxOcc	
-----	----	--------	--

SG5 R 999999 **Covered accounting documents**
Covered accounting documents

DTM O 1 **Issuer's document date**
Issuer's document date

EDIFACT			Conti		
Tag	Name	St Format	St	Format	Usage / Remark
C507	Date/time/period	M	M		
2005	Date or time or period function code qualifier	M an..3	M	an..3	137 Document issue date time
2380	Date or time or period text	C n..14	R	n..14	
2379	Date or time or period format code	C an..3	R	an..3	102 CCYYMMDD

Remark:

Example: DTM+137:20041202:102'

Tag	St	MaxOcc	
-----	----	--------	--

SG5 R 999999 **Covered accounting documents**
Covered accounting documents

DTM O 1 **Shipment Date**
Shipment Date

EDIFACT			Conti		
Tag	Name	St Format	St	Format	Usage / Remark
C507	Date/time/period	M	M		
2005	Date or time or period function code qualifier	M an..3	M	an..3	10 Shipment date/time, requested
2380	Date or time or period text	C n..14	R	n..14	
2379	Date or time or period format code	C an..3	O	an..3	102 CCYYMMDD 204 CCYYMMDDHHMMSS

Remark:
[?? Difference between shipment and despatch??](#)

Example: DTM+10:20041110:102'

Tag	St	MaxOcc	
-----	----	--------	--

SG5 R 999999 **Covered accounting documents**
Covered accounting documents

DTM O 5 **Receiving Date**
Receiving Date

EDIFACT			Conti			
Tag	Name	St Format	St	Format	Usage / Remark	
C507	Date/time/period	M	M			
2005	Date or time or period function code qualifier	M an..3	M	an..3	310 Received date/time 55 Confirmed date/time ?? 55 - AIAG /Saturn - what is that used for?	
2380	Date or time or period text	C n..14	R	n..14		
2379	Date or time or period format code	C an..3	O	an..3	102 CCYYMMDD 204 CCYYMMDDHHMMSS	

Remark:

Example: DTM+310:20041111:102'

Tag	St	MaxOcc	
-----	----	--------	--

SG5 R 999999 **Covered accounting documents**
Covered accounting documents

DTM O 5 **Other reference dates**
Other reference dates

EDIFACT			Conti			
Tag	Name	St Format	St	Format	Usage / Remark	
C507	Date/time/period	M	M			
2005	Date or time or period function code qualifier	M an..3	M	an..3	3 Invoice document issue date time 11 Despatch date and or time 20 Cheque date/time 55 Confirmed date/time 182 Issue date 310 Received date/time	
2380	Date or time or period text	C an..35	R	an..35	Reference date	
2379	Date or time or period format code	C an..3	C	an..3	102 CCYYMMDD 203 CCYYMMDDHHMM	

Remark:

Example: DTM+11:20041110:102'

MaxOcc = Maximum occurrence of the segment/group St = Status: M=Mandatory, C=Conditional, R=Required, O=Optional, D=Dependent, A=Advised, N=Not used

Tag	St	MaxOcc	
-----	----	--------	--

SG5 R 999999 Covered accounting documents
 Covered accounting documents

RFF O 1 Buyer's Transaction Identification (Scan code)
 Buyer's Transaction Identification (Scan code)

EDIFACT			Conti		
Tag	Name	St Format	St	Format	Usage / Remark
C506	Reference	M	M		
1153	Reference code qualifier	M an..3	M	an..3	AIJ Customer's individual transaction reference number
1154	Reference identifier	C an..17	R	an..17	
1156	Document line identifier	an..6	N		Not used
4000	Reference version identifier	an..35	N		Not used
1060	Revision identifier	an..6	N		Not used

Remark:

Example: RFF+AIJ:ACC3321'

MaxOcc = Maximum occurrence of the segment/group St = Status: M=Mandatory, C=Conditional, R=Required, O=Optional, D=Dependent, A=Advised, N=Not used

Tag	St	MaxOcc	
-----	----	--------	--

SG5 R 999999 **Covered accounting documents**
Covered accounting documents

RFF O 1 **Buyer's booking ID**
Buyer's booking ID

EDIFACT			Conti		
Tag	Name	St Format	St	Format	Usage / Remark
C506	Reference	M	M		
1153	Reference code qualifier	M an..3	M	an..3	AV Account payable number
1154	Reference identifier	C an..17	R	an..17	
1156	Document line identifier	an..6	N		Not used
4000	Reference version identifier	an..35	N		Not used
1060	Revision identifier	an..6	N		Not used

Remark:

Example: RFF+AV:XX-2004-12-01-877'

Tag	St	MaxOcc	
-----	----	--------	--

SG5 R 999999 Covered accounting documents
 Covered accounting documents

RFF O 1 Buyer's sub entity description
 Buyer's sub entity description

EDIFACT			Conti		
Tag	Name	St Format	St	Format	Usage / Remark
C506	Reference	M	M		
1153	Reference code qualifier	M an..3	M	an..3	PE Plant number
1154	Reference identifier	C an..70	R	an..70	
1156	Document line identifier	an..6	N		Not used
4000	Reference version identifier	an..35	N		Not used
1060	Revision identifier	an..6	N		Not used

Remark:

Example: RFF+PE:Plant ABC'

Tag	St	MaxOcc	
-----	----	--------	--

SG5 R 999999 **Covered accounting documents**
 Covered accounting documents

RFF O 5 **Other reference**
 Other reference

EDIFACT			Conti			
Tag	Name	St Format	St	Format	Usage / Remark	
C506	Reference	M	M			
1153	Reference code qualifier	M an..3	M	an..3	BM Bill of lading number CR Customer reference number ET Excess transportation number FN Freight bill number IV Invoice document identifier ON Order document identifier, buyer assigned PK Packing list number PS Purchase order number suffix RE Release number SI SID (Shipper's identifying number for shipment)	
1154	Reference identifier	C an..17	R	an..17		
1156	Document line identifier	C an..6	O	an..6		
4000	Reference version identifier	an..35	N		Not used	
1060	Revision identifier	an..6	N		Not used	

Remark:

Example: RFF+BM:123-123:020'

Tag	St	MaxOcc	
SG9	O	5	Payment information text
Payment information text			
INP	M	1	Parties and instruction

EDIFACT			Conti		
Tag	Name	St Format	St	Format	Usage / Remark
C849	Parties to instruction	C	C		
3301	Enacting party identifier	M an..35	M	an..35	5 Seller
3285	Instruction receiving party identifier	an..35	N		Not used
C522	Instruction	C	C		
4403	Instruction type code qualifier	M an..3	M	an..3	2 Party instructions
4401	Instruction description code	an..3	N		Not used
1131	Code list identification code	an..17	N		Not used
3055	Code list responsible agency code	an..3	N		Not used
4400	Instruction description	an..35	N		Not used
C850	Status of instruction		N		
4405	Status description code	an..3	N		Not used
3036	Party name	an..35	N		Not used
1229	Action request/notification description code	an..3	N		Not used

Remark:
This segment is only a trigger for the following FTX segment

Example: INP+5+2'

Tag	St	MaxOcc	
SG9	O	5	Payment information text
Payment information text			
FTX	O	5	Free text

EDIFACT			Conti		
Tag	Name	St Format	St	Format	Usage / Remark
4451	Text subject code qualifier	M an..3	M	an..3	PAY Payables information PMD Payment detail/remittance information
4453	Free text function code	an..3	N		Not used
C107	Text reference		N		
4441	Free text description code	an..17	N		Not used
1131	Code list identification code	an..17	N		Not used
3055	Code list responsible agency code	an..3	N		Not used
C108	Text literal	C	R		
4440	Free text	M an..256	M	an..256	
4440	Free text	C an..256	O	an..256	See 4440 #1
4440	Free text	C an..256	O	an..256	See 4440 #1
4440	Free text	C an..256	O	an..256	See 4440 #1
4440	Free text	C an..256	O	an..256	See 4440 #1
3453	Language name code	C an..3	O	an..3	
4447	Free text format code	an..3	N		Not used

Remark:

Example: FTX+PMD+++Payment text :::Payment text+en'

Tag	St	MaxOcc	
SG10	O	9999	Line item reference
Line item reference			
DLI	M	1	Document line identification

EDIFACT			Conti		
Tag	Name	St Format	St	Format	Usage / Remark
1073	Document line action code	M an..3	M	an..3	1 Included in document/transaction
1082	Line item identifier	M an..6	M	an..6	

Remark:
This line item reference is related to the document identified in DOC segment.

Example: DLI+1+000400'

Tag	St	MaxOcc	
SG10	O	9999	Line item reference
Line item reference			
PIA	O	5	Additional product id

EDIFACT			Conti		
Tag	Name	St Format	St	Format	Usage / Remark
4347	Product identifier code qualifier	M an..3	M	an..3	1 Additional identification 5 Product identification
C212	Item number identification	M	M		
7140	Item identifier	C an..35	R	an..35	
7143	Item type identification code	C an..3	R	an..3	AB Assembly MF Manufacturer's (producer's) article number PL Purchaser's order line number PO Purchase order number IN Buyer's item number
1131	Code list identification code	an..17	N		Not used
3055	Code list responsible agency code	an..3	N		Not used
C212	Item number identification	C	O		
7140	Item identifier	C an..35	R	an..35	
7143	Item type identification code	C an..3	R	an..3	AB Assembly BP Buyer's part number MF Manufacturer's (producer's) article number PL Purchaser's order line number PO Purchase order number
1131	Code list identification code	an..17	N		Not used
3055	Code list responsible agency code	an..3	N		Not used
C212	Item number identification	C	O		
7140	Item identifier	C an..35	R	an..35	
7143	Item type identification code	C an..3	R	an..3	AB Assembly BP Buyer's part number MF Manufacturer's (producer's) article number PL Purchaser's order line number PO Purchase order number
1131	Code list identification code	an..17	N		Not used
3055	Code list responsible agency code	an..3	N		Not used
C212	Item number identification	C	O		
7140	Item identifier	C an..35	R	an..35	
7143	Item type identification code	C an..3	R	an..3	AB Assembly BP Buyer's part number MF Manufacturer's (producer's) article number PL Purchaser's order line number PO Purchase order number
1131	Code list identification code	an..17	N		Not used
3055	Code list responsible agency code	an..3	N		Not used
C212	Item number identification	C	O		
7140	Item identifier	C an..35	R	an..35	
7143	Item type identification code	C an..3	R	an..3	AB Assembly BP Buyer's part number MF Manufacturer's (producer's) article number PL Purchaser's order line number PO Purchase order number
1131	Code list identification code	an..17	N		Not used

MaxOcc = Maximum occurrence of the segment/group St = Status: M=Mandatory, C=Conditional, R=Required, O=Optional, D=Dependent, A=Advised, N=Not used



EDIFACT			Conti		
Tag	Name	St Format	St	Format	Usage / Remark
3055	Code list responsible agency code	an..3	N		Not used

Remark:

Only to be used if there was no Invoice document issued between shipment notice (DESADV) and remittance advice.

Example: PIA+1+XZ-1324:IN+123-444:AB+99887766:MF+030:PL+2004-1654:PO'

Tag	St	MaxOcc	
UNS	M	1	Section control

EDIFACT			Conti		
Tag	Name	St Format	St	Format	Usage / Remark
0081	Section identification	M a1	M	a1	S Detail/summary section separation

Remark:

Example: UNS+S'

Tag	St	MaxOcc
-----	----	--------

MOA M 1 Total payment amount

Total payment amount

EDIFACT			Conti		
Tag	Name	St Format	St	Format	Usage / Remark
C516	Monetary amount	M	M		
5025	Monetary amount type code qualifier	M an..3	M	an..3	12 Amount remitted
5004	Monetary amount	C n..15	R	n..15	
6345	Currency identification code	C an..3	O	an..3	
6343	Currency type code qualifier	an..3	N		Not used
4405	Status description code	an..3	N		Not used

Remark:

Example: MOA+12:900:USD'

Tag	St	MaxOcc
-----	----	--------

MOA O 1 Total discount amount

Total discount amount

EDIFACT			Conti		
Tag	Name	St Format	St	Format	Usage / Remark
C516	Monetary amount	M	M		
5025	Monetary amount type code qualifier	M an..3	M	an..3	138 Total monetary discount amount
5004	Monetary amount	C n..15	R	n..15	
6345	Currency identification code	C an..3	O	an..3	
6343	Currency type code qualifier	an..3	N		Not used
4405	Status description code	an..3	N		Not used

Remark:

Example: MOA+138:18:USD'

Tag	St	MaxOcc
-----	----	--------

MOA O 1 Original amount

Original amount

EDIFACT			Conti		
Tag	Name	St Format	St	Format	Usage / Remark
C516	Monetary amount	M	M		
5025	Monetary amount type code qualifier	M an..3	M	an..3	98 Original amount
5004	Monetary amount	C n..15	R	n..15	
6345	Currency identification code	C an..3	O	an..3	
6343	Currency type code qualifier	an..3	N		Not used
4405	Status description code	an..3	N		Not used

Remark:

Example: MOA+98:900:USD'

Tag	St	MaxOcc	
UNT	M	1	Message trailer

EDIFACT			Conti		
Tag	Name	St Format	St	Format	Usage / Remark
0074	Number of segments in the message	M n..6	M	n..6	
0062	Message reference number	M an..14	M	an..14	

Remark:

Example: UNT+50+1'

Tag	St	MaxOcc	
UNZ	M	1	Interchange trailer

EDIFACT			Conti		
Tag	Name	St Format	St	Format	Usage / Remark
0036	Interchange control count	M n..6	M	n..6	
0020	Interchange control reference	M an..14	M	an..14	Repetition of the value transmitted in UNB data element 0020.

Remark:

Example: UNZ+1+144659'

Example Message

No	Tag	Example
01	UNA	UNA:+.? '
02	UNB	UNB+UNOC:3+OD012345:59:123+987654321:1:X+071205:1446+144659+++++1'
03	UNH	UNH+1+REMADV:D:04A:UN:GMI041'
04	BGM	BGM+481::6+2004-02:1:0+9'
05	DTM	DTM+137:20041001:102'
06	DTM	DTM+138:20041005:102'
07	RFF	RFF+PQ:20040101-222'
08	FII	FII+SE+588382800:Wholesale Inc.+DECIBA:150:114::::Detroit City Bank'
09	PAI	PAI+::20::6'
	SG1	
10	NAD	NAD+BY+321456::91++Name1:Name2+Street1:Street2++++DE'
	SG2	
11	RFF	RFF+ADE:123ABC'
	SG3	
12	CTA	CTA+IC+:Meier'
13	COM	COM+001 248 324588:TE'
	SG3	
14	CTA	CTA+AD+:A. Brunetti'
15	COM	COM+X:TE'
	SG1	
16	NAD	NAD+SE+123ABC::92++X:X:X:X+X+X+AD'
	SG2	
17	RFF	RFF+ADE:98765'
	SG3	
18	CTA	CTA+IC+:M. Miller'
19	COM	COM+0049 30 97991433:FX'
	SG3	
20	CTA	CTA+AD+:B. Lee'
21	COM	COM+accounts@sales.com:EM'
	SG1	
22	NAD	NAD+PE+123ABC::92++Name1:Name2+Street1:Street2+City++12345+DE'
	SG2	
23	RFF	RFF+ADE:98765'
	SG3	
24	CTA	CTA+IC+:Eric Smith'
25	COM	COM+0044123456677:TE'
	SG1	

No = Consecutive segment number

No	Tag	Example
26	NAD	NAD+PL+123ABC::92++Name1:Name2+Street1:Street2+City++12345+DE'
	SG2	
27	RFF	RFF+ADE:44332'
	SG3	
28	CTA	CTA+IC+:E.T. Hoffmann'
29	COM	COM+001 248 343434:FX'
	SG4	
30	CUX	CUX+2:EUR:11'
	SG5	
31	DOC	DOC+380::6+2004/0098::Seller'
32	MOA	MOA+340:900:USD'
33	MOA	MOA+339:900:USD'
34	MOA	MOA+52:18:USD'
35	MOA	MOA+129:900:USD'
36	DTM	DTM+137:20041202:102'
37	DTM	DTM+10:20041110:102'
38	DTM	DTM+310:20041111:102'
39	DTM	DTM+11:20041110:102'
40	RFF	RFF+AIJ:ACC3321'
41	RFF	RFF+AV:XX-2004-12-01-877'
42	RFF	RFF+PE:Plant ABC'
43	RFF	RFF+BM:123-123:020'
	SG9	
44	INP	INP+5+2'
45	FTX	FTX+PMD+++Payment text ::::Payment text+en'
	SG10	
46	DLI	DLI+1+000400'
47	PIA	PIA+1+XZ-1324:IN+123-444:AB+99887766:MF+030:PL+2004-1654:PO'
48	UNS	UNS+S'
49	MOA	MOA+12:900:USD'
50	MOA	MOA+138:18:USD'
51	MOA	MOA+98:900:USD'
52	UNT	UNT+50+1'
53	UNZ	UNZ+1+144659'

No = Consecutive segment number