



Message Implementation Guideline

ORDERS D.14A (VDA 4948 T1 - Bestellung)

based on

ORDERS

Purchase order message

UN D.14A S3

Issue date: 20.04.2007

Author: VDA

1 Message Structure.....	2
2 Branching Diagram	4
3 Segments	8
4 Example	45

Structure / Table of Contents

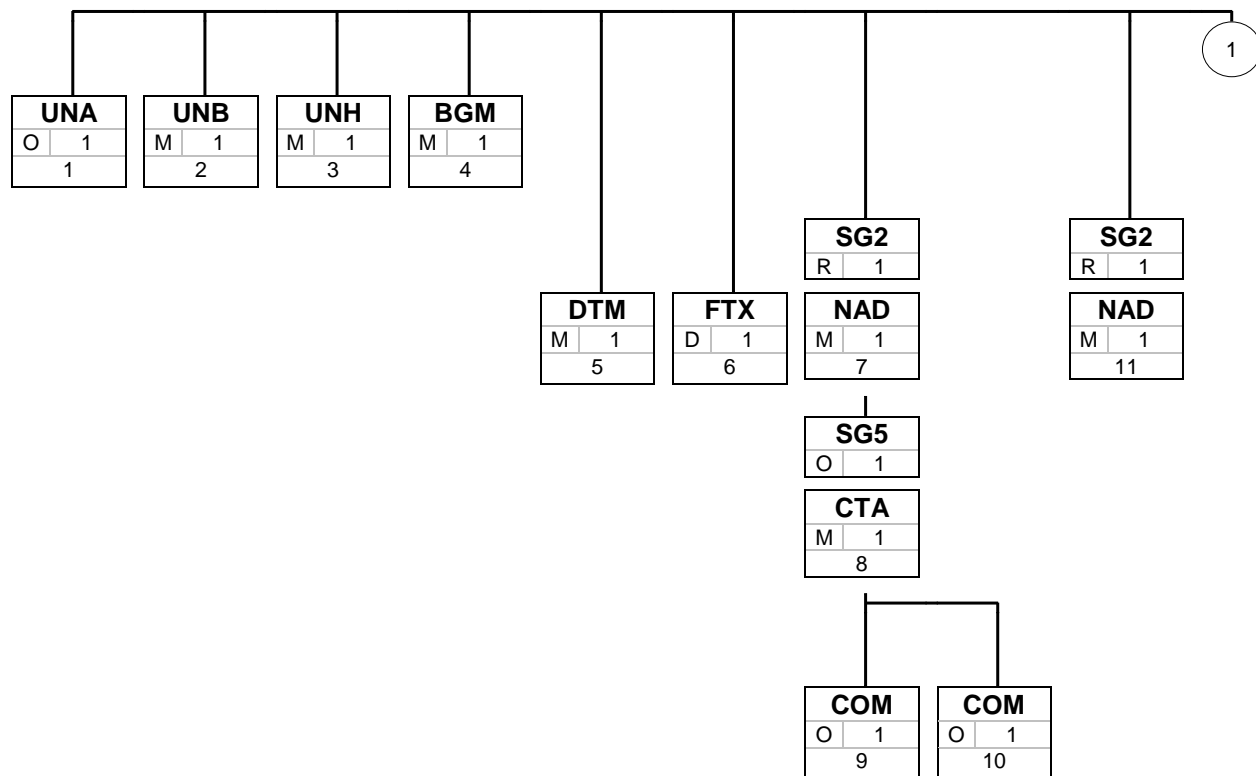
Tag	St	MaxOcc	Content
UNA	O	1	Service string advice UNA:+.? '
UNB	M	1	Interchange header UNB+UNOC:3+OD012345:59:123+987654321:1:LAFES+071205:1446+144659+++++1'
UNH	M	1	Message header UNH+1+ORDERS:D:14A:UN'
BGM	M	1	Beginning of message BGM+220+20069966'
DTM	M	1	Message date DTM+137:20060214:102'
FTX	D	1	Order remarks FTX+COI+++Kunde Achim Mustermann'
SG2	R	1	Buyer
NAD	M	1	Buyer NAD+BY+123::91++Continental Automotive GmbH:Name2+Siemensstraße 12:Street2+Regensburg++9305 5+DE'
SG5	O	1	Buyer's contact person
CTA	M	1	Contact information CTA+PD+KontaktNummer:KontaktName'
COM	O	1	Phone COM+Phone:TE'
COM	O	1	Fax COM+Fax:FX'
SG2	R	1	Seller
NAD	M	1	Name and address NAD+SE+Identifier::92++Name1:Name2+Street1:Street2+City++12345+DE'
SG2	D	1	Ship-to and place of discharge
NAD	M	1	Ship-To NAD+ST+1234567::92++Autoteile Müller:GmbH & Co.KG+Prinzenstrasse 7:Hof 2+Berlin++10369+DE'
LOC	O	1	Place of discharge LOC+11+:::Hof 2+52.49.38N 13.41.37E'
SG7	R	1	Currency information
CUX	M	1	Currency information CUX+2:USD:9'
SG29	R	200000	Order line
LIN	M	1	Buyer's product ID LIN+1+1+1234-4567:IN'
PIA	O	2	Additional product IDs PIA+1+1234567890123:UA+334455:SA+RAL57:CL+4000001234561:EN+123:MN'
IMD	O	1	Item description IMD+F++:::Linke Halterung'
QTY	R	1	Order quantity QTY+21:2:C62'
DTM	O	1	Delivery date DTM+2:20060218:102'
GIN	O	1000	Internal package / handling unit ID GIN+ML+001:005+009:022+030:055+121:130+155:200'
GIR	O	1000	Vehicle identification number (VIN) exclusive or door key number GIR+1+5478:BF+123456789123456789123456789:AN'

MaxOcc = Maximum occurrence of the segment/group St = Status: M=Mandatory, C=Conditional, R=Required, O=Optional, D=Dependent, A=Advised, N=Not used

Tag	St	MaxOcc	Content
DOC	O	1	External file reference DOC+6+X+EM'
FTX	O	1	Order remarks FTX+COI++002::204+Kunde Achim Mustermann+de'
FTX	O	1	Additional individual product description FTX+AAA+++Text:Text:Text::Text+de'
SG33	O	1	Calculation price
PRI	M	1	Calculation price PRI+CAL:.....10'
SG34	R	4	Reference numbers related to the order line
RFF	M	1	Reference numbers RFF+ON:123456'
SG41	D	1	Ship-to and place of discharge
NAD	M	1	Ship-To NAD+ST+1234567::92++Autoteile Müller:GmbH & Co.KG+Prinzenstrasse 7:Hof 2+Berlin++10369+DE'
LOC	O	1	Place of discharge LOC+11+:::Hof 2+52.49.38N 13.41.37E'
SG44	O	1	Contact information
CTA	M	1	Contact partner's name CTA+IC+:Achim Mustermann'
COM	O	5	Telephone number COM+0049 89 345 6785:TE'
SG51	O	1	Transport information
TDT	M	1	Transport information TDT+20++3++:::Meiers Paketdienst'
SG53	O	1	Additional delivery terms
TOD	M	1	Terms of delivery or transport TOD+5+WD+1::ZZZ:sofort'
UNS	M	1	Section control UNS+S'
UNT	M	1	Message trailer UNT+33+1'
UNZ	M	1	Interchange trailer UNZ+1+200602150001'

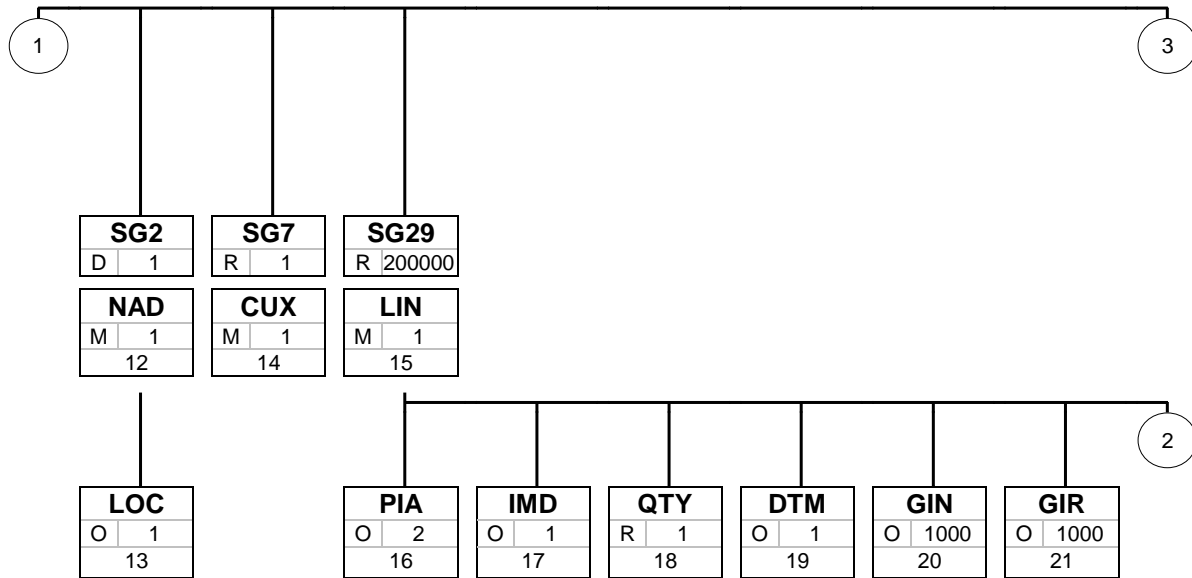
MaxOcc = Maximum occurrence of the segment/group St = Status: M=Mandatory, C=Conditional, R=Required, O=Optional,
D=Dependent, A=Advised, N=Not used

Branching Diagram of Used Segments/Groups



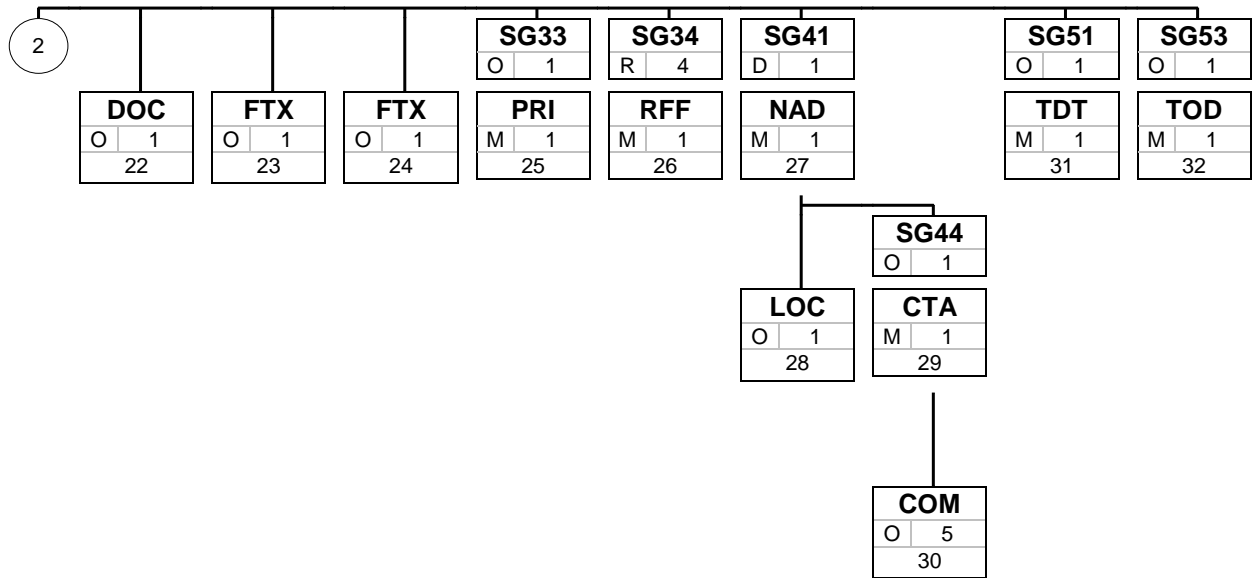
Tag
St MaxOcc
No

Tag = Segment/Group Tag
 St = Status: M=Mandatory, C=Conditional, R=Required, O=Optional, D=Dependent, A=Advised, N=Not used
 MaxOcc = Maximum occurrence of the segment/group
 No = Consecutive segment number



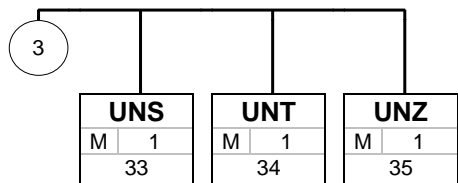
Tag
St MaxOcc
No

Tag = Segment/Group Tag
 St = Status: M=Mandatory, C=Conditional, R=Required, O=Optional, D=Dependent, A=Advised, N=Not used
 MaxOcc = Maximum occurrence of the segment/group
 No = Consecutive segment number



Tag
St MaxOcc
No

Tag = Segment/Group Tag
 St = Status: M=Mandatory, C=Conditional, R=Required, O=Optional, D=Dependent, A=Advised, N=Not used
 MaxOcc = Maximum occurrence of the segment/group
 No = Consecutive segment number



Tag
St MaxOcc
No

Tag = Segment/Group Tag
 St = Status: M=Mandatory, C=Conditional, R=Required, O=Optional, D=Dependent, A=Advised, N=Not used
 MaxOcc = Maximum occurrence of the segment/group
 No = Consecutive segment number

Segments

Tag	St	MaxOcc
-----	----	--------

UNA	O	1 Service string advice
------------	---	-------------------------

EDIFACT			Conti		
Tag	Name	St Format	St	Format	Usage / Remark
UNA1	Component data element separator	M an1	M	an1	Colon
UNA2	Data element separator	M an1	M	an1	Plus sign
UNA3	Decimal notation	M an1	M	an1	Full stop
UNA4	Release indicator	M an1	M	an1	Question mark
UNA5	Reserved for future use	M an1	M	an1	
UNA6	Segment terminator	M an1	M	an1	Apostrophe

Remark:

Example: UNA:+. ? '

MaxOcc = Maximum occurrence of the segment/group St = Status: M=Mandatory, C=Conditional, R=Required, O=Optional, D=Dependent, A=Advised, N=Not used



Tag	St	MaxOcc
UNB	M	1 Interchange header

EDIFACT			Conti		Usage / Remark
Tag	Name	St Format	St	Format	
S001	Syntax identifier	M	M		
0001	Syntax identifier	M a4	M	a4	UNOA UN/EDC level A UNOB UN/EDC level B UNOC UN/EDC level C UNOD UN/EDC level D
0002	Syntax version number	M n1	M	n1	2 Version 2 3 Version 3
S002	Interchange sender	M	M		
0004	Sender identification	M an..35	M	an..35	Unique ID of the sender in the data transmission network or system.
0007	Partner identification code qualifier	C an..4	O	an..4	
0008	Address for reverse routing	C an..14	O	an..14	Address of an application or internal system at sender's site to which reply messages should be routed.
S003	Interchange recipient	M	M		
0010	Recipient identification	M an..35	M	an..35	Unique ID of the receiver in the data transmission network or system.
0007	Partner identification code qualifier	C an..4	O	an..4	
0014	Routing address	C an..14	O	an..14	Address of an application or an internal system at receiver's side: some OEMs generate delivery calls, etc. in different ERP systems. In this case, the despatch advice received from the supplier needs to be forwarded to the respective ERP system. In principle, EDIFACT refers to the UNB segment for a return address (section completed during delivery call) and a forwarding address (to be included in the despatch advice). Criteria for system change: Customer number, plant/work and unloading location The customer must submit an allocation table so that the supplier can store and apply these rules!
S004	Date/time of preparation	M	M		
0017	Date of preparation	M n6	M	n6	Format YYMMDD
0019	Time of preparation	M n4	M	n4	Format HHMM
0020	Interchange control reference	M an..14	M	an..14	Unique ID of an interchange.
S005	Recipient's reference, password		N		
0022	Recipient's reference/password	an..14	N		Not used
0025	Recipient's reference/password qualifier	an2	N		Not used
0026	Application reference	an..14	N		Not used
0029	Processing priority code	a1	N		Not used
0031	Acknowledgement request	n1	N		Not used
0032	Communications agreement ID	an..35	N		Not used
0035	Test indicator	C n1	O	n1	1 Interchange is a test Only to be used for data interchange test purposes. Omit this element for valid interchanges

Remark:

Example: UNB+UNOC:3+OD012345:59:123+987654321:1:LAFES+071205:1446+144659+++++1'

MaxOcc = Maximum occurrence of the segment/group St = Status: M=Mandatory, C=Conditional, R=Required, O=Optional, D=Dependent, A=Advised, N=Not used

Tag	St	MaxOcc
-----	----	--------

UNH	M	1 Message header
------------	---	------------------

EDIFACT			Conti		
Tag	Name	St Format	St	Format	Usage / Remark
0062	Message reference number	M an..14	M	an..14	Unique message reference within the interchange.
S009	Message identifier	M	M		
0065	Message type	M an..6	M	an..6	ORDERS Purchase order message
0052	Message version number	M an..3	M	an..3	D Draft version/UN/EDIFACT Directory
0054	Message release number	M an..3	M	an..3	14A Release 2014 - A
0051	Controlling agency	M an..2	M	an..2	UN UN/CEFACT
0057	Association assigned code	an..6	N		Not used
0068	Common access reference	an..35	N		Not used
S010	Status of the transfer		N		
0070	Sequence of transfers	n..2	N		Not used
0073	First and last transfer	a1	N		Not used

Remark:

Example: UNH+1+ORDERS:D:14A:UN'

MaxOcc = Maximum occurrence of the segment/group St = Status: M=Mandatory, C=Conditional, R=Required, O=Optional, D=Dependent, A=Advised, N=Not used

Tag	St	MaxOcc
-----	----	--------

BGM	M	1 Beginning of message
------------	---	------------------------

EDIFACT			Conti		
Tag	Name	St Format	St	Format	Usage / Remark
C002	Document/message name	C	R		
1001	Document name code	C an..3	R	an..3	220 Order
1131	Code list identification code	an..17	N		Not used
3055	Code list responsible agency code	an..3	N		Not used
1000	Document name	an..35	N		Not used
C106	Document/message identification	C	R		
1004	Document identifier	C an..70	R	an..70	Document number
1056	Version identifier	an..9	N		Not used
1060	Revision identifier	an..6	N		Not used
1225	Message function code	an..3	N		Not used
4343	Response type code	an..3	N		Not used
1373	Document status code	an..3	N		Not used
3453	Language name code	an..3	N		Not used

Remark:

It is assumed that an order and related order changes or order cancellations have always the same document number which establishes the correlation of these messages.

If the seller proposes changes to the original order with an order response message, the buyer may explicitly accept them with an order change. Details on this process have to be agreed upon mutually.

Example: BGM+220+20069966'

MaxOcc = Maximum occurrence of the segment/group St = Status: M=Mandatory, C=Conditional, R=Required, O=Optional, D=Dependent, A=Advised, N=Not used

Tag	St	MaxOcc
-----	----	--------

DTM M 1 Message date
Message date

EDIFACT			Conti		
Tag	Name	St Format	St	Format	Usage / Remark
C507	Date/time/period	M	M		
2005	Date or time or period function code qualifier	M an..3	M	an..3	137 Document issue date time
2380	Date or time or period text	C an..35	R	an..35	Document date: date / time of document creation
2379	Date or time or period format code	C an..3	R	an..3	102 CCYYMMDD

Remark:

Example: DTM+137:20060214:102'

MaxOcc = Maximum occurrence of the segment/group St = Status: M=Mandatory, C=Conditional, R=Required, O=Optional, D=Dependent, A=Advised, N=Not used

Tag	St	MaxOcc
-----	----	--------

FTX	D	1 Order remarks
------------	---	-----------------

Order remarks

EDIFACT			Conti		
Tag	Name	St Format	St	Format	Usage / Remark
4451	Text subject code qualifier	M an..3	M	an..3	COI Order information
4453	Free text function code	an..3	N		
C107	Text reference		N		
4441	Free text description code	an..17	N		Not used
1131	Code list identification code	an..17	N		Not used
3055	Code list responsible agency code	an..3	N		Not used
C108	Text literal	C	R		
4440	Free text	M an..512	M	an..512	Order remark of the identified party
4440	Free text	an..512	N		Not used
4440	Free text	an..512	N		Not used
4440	Free text	an..512	N		Not used
4440	Free text	an..512	N		Not used
3453	Language name code	an..3	N		Not used
4447	Free text format code	an..3	N		Not used

Remark:

There might be either an order remark on header level or (XOR) on line item level. The business partners agree jointly which of the two variants will be used in their data interchange.

Example: FTX+COI+++Kunde Achim Mustermann'

MaxOcc = Maximum occurrence of the segment/group St = Status: M=Mandatory, C=Conditional, R=Required, O=Optional, D=Dependent, A=Advised, N=Not used



Tag	St	MaxOcc
-----	----	--------

SG2 R 1 Buyer
Buyer

NAD M 1 Buyer
Buyer

EDIFACT			Conti		Usage / Remark
Tag	Name	St Format	St	Format	
3035	Party function code qualifier	M an..3	M	an..3	BY Buyer
C082	Party identification details	C	R		
3039	Party identifier	M an..20	R	an..20	Unique identifier of business partner (customer number, supplier number, DUNS number, etc.).
1131	Code list identification code	an..17	N		Not used
3055	Code list responsible agency code	C an..3	R	an..3	Code specifying the agency responsible for a code list. 91 Assigned by seller or seller's agent
C058	Name and address		N		
3124	Name and address description	an..35	N		Not used
3124	Name and address description	an..35	N		Not used
3124	Name and address description	an..35	N		Not used
3124	Name and address description	an..35	N		Not used
3124	Name and address description	an..35	N		Not used
C080	Party name	C	O		
3036	Party name	M an..35	M	an..35	Single text line for party name
3036	Party name	C an..35	O	an..35	see 3036 # 1
3036	Party name	an..70	N		Not used
3036	Party name	an..70	N		Not used
3036	Party name	an..70	N		Not used
3045	Party name format code	an..3	N		Not used
C059	Street	C	O		
3042	Street and number or post office box identifier	M an..35	M	an..35	Part of address identifying the location of a building, normally given together with street
3042	Street and number or post office box identifier	C an..35	O	an..35	see 3042 # 1
3042	Street and number or post office box identifier	an..35	N		Not used
3042	Street and number or post office box identifier	an..35	N		Not used
3164	City name	C an..35	O	an..35	The name of the city, town, or village of this address.
C819	Country subdivision details		N		
3229	Country subdivision identifier	an..9	N		Not used
1131	Code list identification code	an..17	N		Not used
3055	Code list responsible agency code	an..3	N		Not used
3228	Country subdivision name	an..70	N		Not used
3251	Postal identification code	C an..17	O	an..17	Identifier of one or more address data properties according to the postal service of the respective country
3207	Country identifier	C a2	O	a2	Provides the country part of an address using a code. Use ISO3166 two alpha code.

Remark:

Example: NAD+BY+123::91++Continental Automotive GmbH:Name2+Siemensstraße 12:Street2+Regensburg++93055+DE'

MaxOcc = Maximum occurrence of the segment/group St = Status: M=Mandatory, C=Conditional, R=Required, O=Optional, D=Dependent, A=Advised, N=Not used

Tag	St	MaxOcc
-----	----	--------

SG5 O 1 Buyer's contact person
 Buyer's contact person

CTA M 1 Contact information

EDIFACT			Conti		
Tag	Name	St Format	St	Format	Usage / Remark
3139	Contact function code	C an..3	C	an..3	PD Purchasing contact
C056	Contact details	C	R		
3413	Contact identifier	C an..17	O	an..17	
3412	Contact name	C an..256	O	an..256	

Remark:

Example: CTA+PD+KontaktNummer:KontaktName '

MaxOcc = Maximum occurrence of the segment/group St = Status: M=Mandatory, C=Conditional, R=Required, O=Optional, D=Dependent, A=Advised, N=Not used

Tag	St	MaxOcc
-----	----	--------

SG5 O 1 Buyer's contact person
 Buyer's contact person

COM O 1 Phone
 Phone

EDIFACT			Conti			Usage / Remark
Tag	Name	St Format	St	Format		
C076	Communication contact	M	M			
3148	Communication address identifier	M an..512	M	an..512		
3155	Communication means type code	M an..3	M	an..3	TE Telephone	

Remark:

Example: COM+Phone:TE'

Tag	St	MaxOcc
-----	----	--------

SG5 O 1 Buyer's contact person
 Buyer's contact person

COM O 1 Fax
 Fax

EDIFACT			Conti			Usage / Remark
Tag	Name	St Format	St	Format		
C076	Communication contact	M	M			
3148	Communication address identifier	M an..512	M	an..512		
3155	Communication means type code	M an..3	M	an..3	FX Telefax	

Remark:

Example: COM+Fax:FX'



Tag	St	MaxOcc
SG2	R	1 Seller
Seller		
NAD	M	1 Name and address

EDIFACT			Conti		
Tag	Name	St Format	St	Format	Usage / Remark
3035	Party function code qualifier	M an..3	M	an..3	SE Seller
C082	Party identification details	C	R		
3039	Party identifier	M an..20	R	an..20	Unique identifier of business partner (customer number, supplier number, DUNS number, etc.).
1131	Code list identification code	an..17	N		Not used
3055	Code list responsible agency code	C an..3	R	an..3	Code specifying the agency responsible for a code list. 92 Assigned by buyer or buyer's agent
C058	Name and address		N		
3124	Name and address description	an..35	N		Not used
3124	Name and address description	an..35	N		Not used
3124	Name and address description	an..35	N		Not used
3124	Name and address description	an..35	N		Not used
3124	Name and address description	an..35	N		Not used
C080	Party name	C	O		
3036	Party name	M an..35	M	an..35	Single text line for party name
3036	Party name	C an..35	O	an..35	see 3036 # 1
3036	Party name	an..70	N		Not used
3036	Party name	an..70	N		Not used
3036	Party name	an..70	N		Not used
3045	Party name format code	an..3	N		Not used
C059	Street	C	O		
3042	Street and number or post office box identifier	M an..35	M	an..35	Part of address identifying the location of a building, normally given together with street
3042	Street and number or post office box identifier	C an..35	O	an..35	see 3042 # 1
3042	Street and number or post office box identifier	an..35	N		Not used
3042	Street and number or post office box identifier	an..35	N		Not used
3164	City name	C an..35	O	an..35	The name of the city, town, or village of this address.
C819	Country subdivision details		N		
3229	Country subdivision identifier	an..9	N		Not used
1131	Code list identification code	an..17	N		Not used
3055	Code list responsible agency code	an..3	N		Not used
3228	Country subdivision name	an..70	N		Not used
3251	Postal identification code	C an..17	O	an..17	Identifier of one or more address data properties according to the postal service of the respective country
3207	Country identifier	C a2	O	a2	Provides the country part of an address using a code. Use ISO3166 two alpha code.

Remark:

Example: NAD+SE+Identifier::92++Name1:Name2+Street1:Street2+City++12345+DE'

MaxOcc = Maximum occurrence of the segment/group St = Status: M=Mandatory, C=Conditional, R=Required, O=Optional, D=Dependent, A=Advised, N=Not used

Tag	St	MaxOcc
-----	----	--------

SG2 D 1 Ship-to and place of discharge

Ship-to and place of discharge

NAD M 1 Ship-To

Ship-To

EDIFACT			Conti		
Tag	Name	St Format	St	Format	Usage / Remark
3035	Party function code qualifier	M an..3	M	an..3	ST Ship to
C082	Party identification details	C	O		
3039	Party identifier	M an..35	R	an..35	Ship-to's identification number
1131	Code list identification code	an..17	N		Not used
3055	Code list responsible agency code	C an..3	R	an..3	92 Assigned by buyer or buyer's agent
C058	Name and address		N		
3124	Name and address description	M an..35	M	an..35	
3124	Name and address description	an..35	N		Not used
3124	Name and address description	an..35	N		Not used
3124	Name and address description	an..35	N		Not used
3124	Name and address description	an..35	N		Not used
C080	Party name	C	O		
3036	Party name	M an..70	M	an..70	Ship-to's name (line 1)
3036	Party name	C an..70	O	an..70	Ship-to's name (line 2)
3036	Party name	an..70	N		Not used
3036	Party name	an..70	N		Not used
3036	Party name	an..70	N		Not used
3045	Party name format code	an..3	N		Not used
C059	Street	C	O		
3042	Street and number or post office box identifier	M an..35	M	an..35	Ship-to's street and house number (line 1)
3042	Street and number or post office box identifier	C an..35	O	an..35	Ship-to's street and house number (line 2)
3042	Street and number or post office box identifier	an..35	N		Not used
3042	Street and number or post office box identifier	an..35	N		Not used
3164	City name	C an..35	O	an..35	City name
C819	Country subdivision details		N		
3229	Country subdivision identifier	an..9	N		Not used
1131	Code list identification code	an..17	N		Not used
3055	Code list responsible agency code	an..3	N		Not used
3228	Country subdivision name	an..70	N		Not used
3251	Postal identification code	C an..17	O	an..17	Ship-to's postal code
3207	Country identifier	C an..3	O	an..3	Ship-to's country code

Remark:

There might be either a ship-to on header level or (XOR) on line item level. The business partners have to agree upon the system they use.

Example: NAD+ST+1234567::92++Autoteile Müller:GmbH & Co.KG+Prinzenstrasse 7:Hof 2+Berlin++10369+DE'

MaxOcc = Maximum occurrence of the segment/group St = Status: M=Mandatory, C=Conditional, R=Required, O=Optional, D=Dependent, A=Advised, N=Not used

Tag	St	MaxOcc
-----	----	--------

SG2 D 1 Ship-to and place of discharge
 Ship-to and place of discharge

LOC O 1 Place of discharge
 Place of discharge

EDIFACT			Conti			Usage / Remark
Tag	Name	St Format	St	Format		
3227	Location function code qualifier	M an..3	M	an..3	11 Place of discharge	
C517	Location identification	C	R			
3225	Location identifier	C an..35	O	an..35	Place / location ID	
1131	Code list identification code	an..17	N		Not used	
3055	Code list responsible agency code	an..3	N		Not used	
3224	Location name	C an..256	O	an..256	Place / location, text	
C519	Related location one identification	C	O			
3223	First related location identifier	C an..35	R	an..35	Geo-Coordinates of the location (formatted in notation 52.49.38N 13.41.37E)	
1131	Code list identification code	an..17	N		Not used	
3055	Code list responsible agency code	an..3	N		Not used	
3222	First related location name	an..70	N		Not used	
C553	Related location two identification		N			
3233	Second related location identifier	an..35	N		Not used	
1131	Code list identification code	an..17	N		Not used	
3055	Code list responsible agency code	an..3	N		Not used	
3232	Second related location name	an..70	N		Not used	
5479	Relation code	an..3	N		Not used	

Remark:

Example: LOC+11+:::Hof 2+52.49.38N 13.41.37E'

MaxOcc = Maximum occurrence of the segment/group St = Status: M=Mandatory, C=Conditional, R=Required, O=Optional, D=Dependent, A=Advised, N=Not used

Tag	St	MaxOcc
-----	----	--------

SG7 R 1 Currency information
 Currency information

CUX M 1 Currency information
 Currency information

EDIFACT			Conti		
Tag	Name	St Format	St	Format	Usage / Remark
C504	Currency details	C	R		
6347	Currency usage code qualifier	M an..3	M	an..3	2 Reference currency
6345	Order currency	C an..3	R	an..3	Order currency
6343	Currency type code qualifier	C an..3	R	an..3	9 Order currency
6348	Currency rate	n..4	N		Not used
C504	Currency details		N		
6347	Currency usage code qualifier	an..3	N		Not used
6345	Currency identification code	an..3	N		Not used
6343	Currency type code qualifier	an..3	N		Not used
6348	Currency rate	n..4	N		Not used
5402	Currency exchange rate	n..12	N		Not used
6341	Exchange rate currency market identifier	an..3	N		Not used

Remark:

Example: CUX+2:USD:9'

MaxOcc = Maximum occurrence of the segment/group St = Status: M=Mandatory, C=Conditional, R=Required, O=Optional, D=Dependent, A=Advised, N=Not used

Tag	St	MaxOcc
-----	----	--------

SG29 R 200000 Order line

Order line

LIN M 1 Buyer's product ID

Buyer's product ID

EDIFACT			Conti		
Tag	Name	St Format	St	Format	Usage / Remark
1082	Line item identifier	C an..6	R	an..6	Line item number - may be necessary for further references to this line item
1229	Action code	C an..3	R	an..3	1 Added 2 Deleted 3 Changed Code 1 - new line item (in the initial order or order change) Code 2 - line item deleted (order cancellation, order change) Code 3 - line item changed (change of quantity, date / time etc.)
C212	Item number identification	C	R		
7140	Item identifier	C an..35	R	an..35	Buyer's product or part number
7143	Item type identification code	C an..3	R	an..3	IN Buyer's item number
1131	Code list identification code	an..17	N		Not used
3055	Code list responsible agency code	an..3	N		Not used
C829	Sub-line information		N		
5495	Sub-line indicator code	an..3	N		Not used
1082	Line item identifier	an..6	N		Not used
1222	Configuration level number	n..2	N		Not used
7083	Configuration operation code	an..3	N		Not used

Remark:

Example: LIN+1+1+1234-4567:IN'

MaxOcc = Maximum occurrence of the segment/group St = Status: M=Mandatory, C=Conditional, R=Required, O=Optional, D=Dependent, A=Advised, N=Not used



Tag	St	MaxOcc
-----	----	--------

SG29 R 200000 Order line

Order line

PIA O 2 Additional product IDs

Additional product IDs

EDIFACT			Conti		Usage / Remark
Tag	Name	St Format	St	Format	
4347	Product identifier code qualifier	M an..3	M	an..3	1 Additional identification
C212	Item number identification	M	R		
7140	Item identifier	C an..35	R	an..35	Serller's product ID (7143 = SA) Ultimate customer's product ID (7143 = UA) Color code (7143 = CL) EAN / GS1 article number (7143 = EN) Model code (7143 = MN) Model year (7143 = RY)
7143	Item type identification code	C an..3	R	an..3	CL Colour number SA Supplier's article number UA Ultimate customer's article number EN International Article Numbering Association (EAN) MN Model number RY Record keeping of model year
1131	Code list identification code	an..17	N		Not used
3055	Code list responsible agency code	an..3	N		Not used
C212	Item number identification	C	O		
7140	Item identifier	C an..35	R	an..35	Serller's product ID (7143 = SA) Ultimate customer's product ID (7143 = UA) Color code (7143 = CL) EAN / GS1 article number (7143 = EN) Model code (7143 = MN) Model year (7143 = RY)
7143	Item type identification code	C an..3	R	an..3	CL Colour number SA Supplier's article number UA Ultimate customer's article number EN International Article Numbering Association (EAN) MN Model number RY Record keeping of model year
1131	Code list identification code	an..17	N		Not used
3055	Code list responsible agency code	an..3	N		Not used
C212	Item number identification	C	O		
7140	Item identifier	C an..35	R	an..35	Serller's product ID (7143 = SA) Ultimate customer's product ID (7143 = UA) Color code (7143 = CL) EAN / GS1 article number (7143 = EN) Model code (7143 = MN) Model year (7143 = RY)
7143	Item type identification code	C an..3	R	an..3	CL Colour number SA Supplier's article number UA Ultimate customer's article number EN International Article Numbering Association (EAN) MN Model number RY Record keeping of model year
1131	Code list identification code	an..17	N		Not used

MaxOcc = Maximum occurrence of the segment/group St = Status: M=Mandatory, C=Conditional, R=Required, O=Optional, D=Dependent, A=Advised, N=Not used



EDIFACT			Conti		
Tag	Name	St Format	St	Format	Usage / Remark
3055	Code list responsible agency code	an..3	N		Not used
C212	Item number identification	C	O		
7140	Item identifier	C an..35	R	an..35	Serller's product ID (7143 = SA) Ultimate customer's product ID (7143 = UA) Color code (7143 = CL) EAN / GS1 article number (7143 = EN) Model code (7143 = MN) Model year (7143 = RY)
7143	Item type identification code	C an..3	R	an..3	CL Colour number SA Supplier's article number UA Ultimate customer's article number EN International Article Numbering Association (EAN) MN Model number RY Record keeping of model year
1131	Code list identification code	an..17	N		Not used
3055	Code list responsible agency code	an..3	N		Not used
C212	Item number identification	C	O		
7140	Item identifier	C an..35	R	an..35	Serller's product ID (7143 = SA) Ultimate customer's product ID (7143 = UA) Color code (7143 = CL) EAN / GS1 article number (7143 = EN) Model code (7143 = MN) Model year (7143 = RY)
7143	Item type identification code	C an..3	R	an..3	CL Colour number SA Supplier's article number UA Ultimate customer's article number EN International Article Numbering Association (EAN) MN Model number RY Record keeping of model year
1131	Code list identification code	an..17	N		Not used
3055	Code list responsible agency code	an..3	N		Not used

Remark:

The additional product IDs may be included in any order within the PIA segment. The segment may be repeated, if all different IDs have to be sent.

Example: PIA+1+1234567890123:UA+334455:SA+RAL57:CL+4000001234561:EN+123:MN'

MaxOcc = Maximum occurrence of the segment/group St = Status: M=Mandatory, C=Conditional, R=Required, O=Optional, D=Dependent, A=Advised, N=Not used

Tag	St	MaxOcc
-----	----	--------

SG29 R 200000 Order line

Order line

IMD O 1 Item description

EDIFACT			Conti		
Tag	Name	St Format	St	Format	Usage / Remark
7077	Description format code	C an..3	R	an..3	F Free-form
C272	Item characteristic		N		
7081	Item characteristic code	an..3	N		Not used
1131	Code list identification code	an..17	N		Not used
3055	Code list responsible agency code	an..3	N		Not used
C273	Item description	C	R		
7009	Item description code	an..17	N		Not used
1131	Code list identification code	an..17	N		Not used
3055	Code list responsible agency code	an..3	N		Not used
7008	Item description	C an..256	R	an..256	Product or part short description
7008	Item description	an..256	N		Not used
3453	Language name code	an..3	N		Not used
7383	Surface or layer code	an..3	N		Not used

Remark:

Example: IMD+F+++::Linke Halterung'

MaxOcc = Maximum occurrence of the segment/group St = Status: M=Mandatory, C=Conditional, R=Required, O=Optional, D=Dependent, A=Advised, N=Not used

Tag	St	MaxOcc
-----	----	--------

SG29 R 200000 Order line

Order line

QTY R 1 Order quantity

Order quantity

EDIFACT			Conti		
Tag	Name	St Format	St	Format	Usage / Remark
C186	Quantity details	M	M		
6063	Quantity type code qualifier	M an..3	M	an..3	21 Ordered quantity
6060	Quantity	M an..35	M	an..35	Order quantity
6411	Measurement unit code	C an..8	O	an..8	PCE piece Code PCE is used as an alternative to C62.

Remark:

Example: QTY+21:2:C62'

Tag	St	MaxOcc
-----	----	--------

SG29 R 200000 Order line

Order line

DTM O 1 Delivery date

Delivery date

EDIFACT			Conti		
Tag	Name	St Format	St	Format	Usage / Remark
C507	Date/time/period	M	M		
2005	Date or time or period function code qualifier	M an..3	M	an..3	2 Delivery date/time, requested
2380	Delivery date	C an..35	R	an..35	Delivery date Goods arriving at ship-to
2379	Date or time or period format code	C an..3	R	an..3	102 CCYYMMDD

Remark:

Example: DTM+2:20060218:102'



Tag	St	MaxOcc
-----	----	--------

SG29 R 200000 Order line

Order line

GIN O 1000 Internal package / handling unit ID

Internal package / handling unit ID

EDIFACT			Conti		
Tag	Name	St Format	St	Format	Usage / Remark
7405	Object identification code qualifier	M an..3	M	an..3	ML Marking/label number
C208	Identity number range	M	M		
7402	Object identifier	M an..35	M	an..35	Package ID
7402	Object identifier	C an..35	D	an..35	If consecutive numbers are used (from..to), the second DE 7402 may be used to transmit the upper limit of such a range of package IDs.
C208	Identity number range	C	O		
7402	Object identifier	M an..35	M	an..35	Package ID
7402	Object identifier	C an..35	D	an..35	If consecutive numbers are used (from..to), the second DE 7402 may be used to transmit the upper limit of such a range of package IDs.
C208	Identity number range	C	O		
7402	Object identifier	M an..35	M	an..35	Package ID
7402	Object identifier	C an..35	D	an..35	If consecutive numbers are used (from..to), the second DE 7402 may be used to transmit the upper limit of such a range of package IDs.
C208	Identity number range	C	O		
7402	Object identifier	M an..35	M	an..35	Package ID
7402	Object identifier	C an..35	D	an..35	If consecutive numbers are used (from..to), the second DE 7402 may be used to transmit the upper limit of such a range of package IDs.
C208	Identity number range	C	C		
7402	Object identifier	M an..35	M	an..35	Package ID
7402	Object identifier	C an..35	D	an..35	If consecutive numbers are used (from..to), the second DE 7402 may be used to transmit the upper limit of such a range of package IDs.

Remark:

Package or handling unit ID for the recipient of goods is being printed onto the package label.

Example: GIN+ML+001:005+009:022+030:055+121:130+155:200'

MaxOcc = Maximum occurrence of the segment/group St = Status: M=Mandatory, C=Conditional, R=Required, O=Optional, D=Dependent, A=Advised, N=Not used

Tag	St	MaxOcc
-----	----	--------

SG29 R 200000 Order line

Order line

GIR O 1000 Vehicle identification number (VIN) exclusive or door key number

Vehicle identification number (VIN) exclusive or door key number

EDIFACT			Conti		
Tag	Name	St Format	St	Format	Usage / Remark
7297	Set type code qualifier	M an..3	M	an..3	1 Product
C206	Identification number	M	M		
7402	Object identifier	M an..35	M	an..35	VIN xor door key number, or manufacturing reference number
7405	Object identification code qualifier	C an..3	R	an..3	BF Door key number VV Vehicle identity number AN Manufacturing reference number
4405	Status description code	an..3	N		Not used
C206	Identification number	C	O		This group may be used for the manufacturing reference number, if C206#1 is used for the VIN or door key number.
7402	Object identifier	M an..35	M	an..35	Manufacturing reference number
7405	Object identification code qualifier	C an..3	R	an..3	AN Manufacturing reference number
4405	Status description code	an..3	N		Not used
C206	Identification number		N		
7402	Object identifier	an..35	N		Not used
7405	Object identification code qualifier	an..3	N		Not used
4405	Status description code	an..3	N		Not used
C206	Identification number		N		
7402	Object identifier	an..35	N		Not used
7405	Object identification code qualifier	an..3	N		Not used
4405	Status description code	an..3	N		Not used
C206	Identification number		N		
7402	Object identifier	an..35	N		Not used
7405	Object identification code qualifier	an..3	N		Not used
4405	Status description code	an..3	N		Not used

Remark:

It is only allowed to transmit either VIN or door key number

Example: GIR+1+5478:BF+123456789123456789123456789:AN'

MaxOcc = Maximum occurrence of the segment/group St = Status: M=Mandatory, C=Conditional, R=Required, O=Optional, D=Dependent, A=Advised, N=Not used

Tag	St	MaxOcc
-----	----	--------

SG29	R	200000 Order line
-------------	---	-------------------

Order line

DOC	O	1 External file reference
------------	---	---------------------------

External file reference

EDIFACT			Conti		
Tag	Name	St Format	St	Format	Usage / Remark
C002	Document/message name	M	M		
1001	Document name code	C an..3	C	an..3	6 Product specification report
1131	Code list identification code	an..17	N		Not used
3055	Code list responsible agency code	an..3	N		Not used
1000	Document name	an..35	N		Not used
C503	Document/message details	C	R		
1004	Document identifier	C an..70	R	an..70	Reference number of the external document / email
1373	Document status code	an..3	N		Not used
1366	Document source description	an..70	N		Not used
3453	Language name code	an..3	N		Not used
1056	Version identifier	an..9	N		Not used
1060	Revision identifier	an..6	N		Not used
3153	Communication medium type code	C an..3	O	an..3	EM Electronic mail
1220	Document copies required quantity	n..2	N		Not used
1218	Document originals required quantity	n..2	N		Not used

Remark:

Reference to an external file containing additional binary data (e.g. a logo as GIF)

Example: DOC+6+X+EM'

MaxOcc = Maximum occurrence of the segment/group St = Status: M=Mandatory, C=Conditional, R=Required, O=Optional,
D=Dependent, A=Advised, N=Not used

Tag	St	MaxOcc
-----	----	--------

SG29 R 200000 Order line

Order line

FTX O 1 Order remarks

Order remarks

EDIFACT			Conti		
Tag	Name	St Format	St	Format	Usage / Remark
4451	Text subject code qualifier	M an..3	M	an..3	COI Order information
4453	Free text function code	an..3	N		Not used
C107	Text reference	C	O		
4441	Free text description code	M an..17	M	an..17	001 Bestellhinweis des Endkunden 002 Bestellhinweis des Händlers 003 Bestellhinweis des Großhandels 004 Bestellhinweis des Zentrallagers / OEM
1131	Code list identification code	an..17	N		Not used
3055	Code list responsible agency code	C an..3	O	an..3	204 DE, VDA (Verband der Automobilindustrie E.V.)
C108	Text literal	C	R		
4440	Free text	M an..512	M	an..512	Order remark of the identified party
4440	Free text	an..512	N		Not used
4440	Free text	an..512	N		Not used
4440	Free text	an..512	N		Not used
4440	Free text	an..512	N		Not used
3453	Language name code	C an..3	O	an..3	
4447	Free text format code	an..3	N		Not used

Remark:

There might be either an order remark on header level or (XOR) on line item level. The business partners agree jointly which of the two variants will be used in their data interchange.

Example: FTX+COI++002::204+Kunde Achim Mustermann+de'

MaxOcc = Maximum occurrence of the segment/group St = Status: M=Mandatory, C=Conditional, R=Required, O=Optional, D=Dependent, A=Advised, N=Not used

Tag	St	MaxOcc
-----	----	--------

SG29 R 200000 Order line

Order line

FTX O 1 Additional individual product description

Additional individual product description

EDIFACT			Conti		
Tag	Name	St Format	St	Format	Usage / Remark
4451	Text subject code qualifier	M an..3	M	an..3	AAA Goods item description
4453	Free text function code	an..3	N		Not used
C107	Text reference		N		
4441	Free text description code	an..17	N		Not used
1131	Code list identification code	an..17	N		Not used
3055	Code list responsible agency code	an..3	N		Not used
C108	Text literal	C	R		
4440	Free text	M an..512	M	an..512	Product description. line 1
4440	Free text	C an..512	O	an..512	Product description. line 2
4440	Free text	C an..512	O	an..512	Product description. line 3
4440	Free text	C an..512	O	an..512	Product description. line 4
4440	Free text	C an..512	O	an..512	Product description. line 5
3453	Language name code	C an..3	O	an..3	Language, coded according to ISO 639-1998
4447	Free text format code	an..3	N		Not used

Remark:

Example: FTX+AAA+++Text:Text:Text::Text+de'

MaxOcc = Maximum occurrence of the segment/group St = Status: M=Mandatory, C=Conditional, R=Required, O=Optional, D=Dependent, A=Advised, N=Not used

Tag	St	MaxOcc
-----	----	--------

SG33 O 1 Calculation price
 Calculation price

PRI M 1 Calculation price
 Calculation price

EDIFACT			Conti		
Tag	Name	St Format	St	Format	Usage / Remark
C509	Price information	C	R		
5125	Price code qualifier	M an..3	M	an..3	CAL Calculation price
5118	Price amount	C n..15	R	n..15	
5375	Price type code	an..3	N		Not used
5387	Price specification code	an..3	N		Not used
5284	Unit price basis quantity	C n..9	R	n..9	
6411	Measurement unit code	C an..8	R	an..8	
5213	Sub-line item price change operation code	an..3	N		Not used

Remark:

Example: PRI+CAL:::::10'

MaxOcc = Maximum occurrence of the segment/group St = Status: M=Mandatory, C=Conditional, R=Required, O=Optional, D=Dependent, A=Advised, N=Not used

Tag	St	MaxOcc
-----	----	--------

SG34 R 4 Reference numbers related to the order line

Reference numbers related to the order line

RFF M 1 Reference numbers

Reference numbers

EDIFACT			Conti		
Tag	Name	St Format	St	Format	Usage / Remark
C506	Reference	M	M		
1153	Reference code qualifier	M an..3	M	an..3	ON Order document identifier, buyer assigned CR Customer reference number UC Ultimate customer's reference number CT Contract number Code ON - order number central warehouse -> third-party order supplier Code CR - order number wholesaler -> central warehouse Code UC - order number dealership -> wholesaler Code CT - contract number third-party supplier -> OEM The order number (ON) must be specified for each line item, the other references depend on the business process between OEM and third-party supplier.
1154	Reference identifier	C an..70	R	an..70	Reference identifier
1156	Document line identifier	an..6	N		Not used
1056	Version identifier	an..9	N		Not used
1060	Revision identifier	an..6	N		Not used

Remark:

Example: RFF+ON:123456'

Tag	St	MaxOcc
-----	----	--------

SG41 D 1 Ship-to and place of discharge

Ship-to and place of discharge

NAD M 1 Ship-To

Ship-To

EDIFACT			Conti		Usage / Remark
Tag	Name	St Format	St	Format	
3035	Party function code qualifier	M an..3	M	an..3	ST Ship to
C082	Party identification details	C	O		
3039	Party identifier	M an..35	R	an..35	Ship-to's identification number
1131	Code list identification code	an..17	N		Not used
3055	Code list responsible agency code	C an..3	O	an..3	16 US, D&B (Dun & Bradstreet Corporation) 91 Assigned by seller or seller's agent 92 Assigned by buyer or buyer's agent
C058	Name and address		N		
3124	Name and address description	M an..35	M	an..35	
3124	Name and address description	an..35	N		Not used
3124	Name and address description	an..35	N		Not used
3124	Name and address description	an..35	N		Not used
3124	Name and address description	an..35	N		Not used
C080	Party name	C	O		
3036	Party name	M an..70	M	an..70	Ship-to's name (line 1)
3036	Party name	C an..70	O	an..70	Ship-to's name (line 2)
3036	Party name	an..70	N		Not used
3036	Party name	an..70	N		Not used
3036	Party name	an..70	N		Not used
3045	Party name format code	an..3	N		Not used
C059	Street	C	O		
3042	Street and number or post office box identifier	M an..35	M	an..35	Ship-to's street and house number (line 1)
3042	Street and number or post office box identifier	C an..35	O	an..35	Ship-to's street and house number (line 2)
3042	Street and number or post office box identifier	an..35	N		Not used
3042	Street and number or post office box identifier	an..35	N		Not used
3164	City name	C an..35	O	an..35	City name
C819	Country subdivision details		N		
3229	Country subdivision identifier	an..9	N		Not used
1131	Code list identification code	an..17	N		Not used
3055	Code list responsible agency code	an..3	N		Not used
3228	Country subdivision name	an..70	N		Not used
3251	Postal identification code	C an..17	O	an..17	Ship-to's post code
3207	Country identifier	C an..3	O	an..3	Ship-to's country code

Remark:

There might be either a ship-to on header level or (XOR) on line item level. The business partners agree jointly which of the two variants will be used in their data interchange.

Example: NAD+ST+1234567::92++Autoteile Müller:GmbH & Co.KG+Prinzenstrasse 7:Hof 2+Berlin++10369+DE'

MaxOcc = Maximum occurrence of the segment/group St = Status: M=Mandatory, C=Conditional, R=Required, O=Optional, D=Dependent, A=Advised, N=Not used

Tag	St	MaxOcc
-----	----	--------

SG41 D 1 Ship-to and place of discharge
 Ship-to and place of discharge

LOC O 1 Place of discharge
 Place of discharge

EDIFACT			Conti			Usage / Remark
Tag	Name	St Format	St	Format		
3227	Location function code qualifier	M an..3	M	an..3	11 Place of discharge	
C517	Location identification	C	R			
3225	Location identifier	C an..35	O	an..35	Place / location ID	
1131	Code list identification code	an..17	N		Not used	
3055	Code list responsible agency code	an..3	N		Not used	
3224	Location name	C an..256	O	an..256	Place / location, text	
C519	Related location one identification	C	O			
3223	First related location identifier	C an..35	R	an..35	Geo-Coordinates of the location (formatted in notation 52.49.38N 13.41.37E)	
1131	Code list identification code	an..17	N		Not used	
3055	Code list responsible agency code	an..3	N		Not used	
3222	First related location name	an..70	N		Not used	
C553	Related location two identification		N			
3233	Second related location identifier	an..35	N		Not used	
1131	Code list identification code	an..17	N		Not used	
3055	Code list responsible agency code	an..3	N		Not used	
3232	Second related location name	an..70	N		Not used	
5479	Relation code	an..3	N		Not used	

Remark:

Example: LOC+11+:::Hof 2+52.49.38N 13.41.37E'

MaxOcc = Maximum occurrence of the segment/group St = Status: M=Mandatory, C=Conditional, R=Required, O=Optional, D=Dependent, A=Advised, N=Not used

Tag	St	MaxOcc
-----	----	--------

SG44 O 1 **Contact information**
Contact information

CTA M 1 **Contact partner's name**
Contact partner's name

EDIFACT			Conti		
Tag	Name	St Format	St	Format	Usage / Remark
3139	Contact function code	C an..3	O	an..3	IC Information contact
C056	Contact details	C	O		
3413	Contact identifier	an..17	N		Not used
3412	Contact name	C an..256	O	an..256	Contact name

Remark:

Example: CTA+IC+:Achim Mustermann'

MaxOcc = Maximum occurrence of the segment/group St = Status: M=Mandatory, C=Conditional, R=Required, O=Optional, D=Dependent, A=Advised, N=Not used

Tag	St	MaxOcc
-----	----	--------

SG44 O 1 **Contact information**
Contact information

COM O 5 **Telephone number**
Telephone number

EDIFACT			Conti		
Tag	Name	St Format	St	Format	Usage / Remark
C076	Communication contact	M	M		
3148	Communication address identifier	M an..512	M	an..512	Telephone number
3155	Communication means type code	M an..3	M	an..3	TE Telephone

Remark:

Example: COM+0049 89 345 6785:TE'



Tag	St	MaxOcc	
SG51	O	1	Transport information
Transport information			
TDT	M	1	Transport information

EDIFACT			Conti			Usage / Remark
Tag	Name	St Format	St	Format		
8051	Transport stage code qualifier	M an..3	M	an..3	20 Main-carriage transport	
8028	Means of transport journey identifier	an..17	N		Not used	
C220	Mode of transport	C	O			
8067	Transport mode name code	C an..3	O	an..3	1 Maritime transport 2 Rail transport 3 Road transport 4 Air transport 5 Mail	
8066	Transport mode name	an..17	N		Not used	
C001	Transport means		N			
8179	Transport means description code	an..8	N		Not used	
1131	Code list identification code	an..17	N		Not used	
3055	Code list responsible agency code	an..3	N		Not used	
8178	Transport means description	an..17	N		Not used	
C040	Carrier	C	O			
3127	Carrier identifier	an..17	N		Not used	
1131	Code list identification code	an..17	N		Not used	
3055	Code list responsible agency code	an..3	N		Not used	
3126	Carrier name	C an..35	O	an..35	Carrier or service provider (e.g. UPS/DHL etc.)	
8101	Transit direction indicator code	an..3	N		Not used	
C401	Excess transportation information		N			
8457	Excess transportation reason code	an..3	N		Not used	
8459	Excess transportation responsibility code	an..3	N		Not used	
7130	Customer shipment authorisation identifier	an..17	N		Not used	
C222	Transport identification		N			
8213	Transport means identification name identifier	an..35	N		Not used	
1131	Code list identification code	an..17	N		Not used	
3055	Code list responsible agency code	an..3	N		Not used	
8212	Transport means identification name	an..70	N		Not used	
8453	Transport means nationality code	an..3	N		Not used	
8281	Transport means ownership indicator code	an..3	N		Not used	
C003	Power type		N			
7041	Power type code	an..3	N		Not used	
1131	Code list identification code	an..17	N		Not used	
3055	Code list responsible agency code	an..3	N		Not used	
7040	Power type description	an..17	N		Not used	

MaxOcc = Maximum occurrence of the segment/group St = Status: M=Mandatory, C=Conditional, R=Required, O=Optional, D=Dependent, A=Advised, N=Not used

Remark:

Example: TDT+20++3++:::Meiers Paketdienst'

Tag	St	MaxOcc
SG53	O	1 Additional delivery terms
Additional delivery terms		
TOD	M	1 Terms of delivery or transport

EDIFACT			Conti		
Tag	Name	St Format	St	Format	Usage / Remark
4055	Delivery or transport terms function code	C an..3	O	an..3	5 Transport condition 6 Delivery condition
4215	Transport charges payment method code	C an..3	D	an..3	WD Paid by supplier Code WD if the supplier pays the fright bill, otherwise empty
C100	Terms of delivery or transport	C	O		
4053	Delivery or transport terms description code	C an..3	O	an..3	Codes may be defined between third party supplier and OEM individually. The default process does not cover split shipments. Should it become necessary to use split shipments in exceptional cases, it is required to set up a bilateral agreement. In this case DE 4053 may be used for an appropriate code.
1131	Code list identification code	an..17	N		Not used
3055	Code list responsible agency code	C an..3	O	an..3	ZZZ Mutually defined
4052	Delivery or transport terms description	C an..70	O	an..70	Delivery condition in text form
4052	Delivery or transport terms description	an..70	N		Not used

Remark:**Example:** TOD+5+WD+1::ZZZ:sofort'

Tag	St	MaxOcc
UNS	M	1 Section control

EDIFACT			Conti		Usage / Remark
Tag	Name	St Format	St	Format	
0081	Section identification	M a1	M	a1	S Detail/summary section separation

Remark:

Example: UNS+S'

Tag	St	MaxOcc
UNT	M	1 Message trailer

EDIFACT			Conti		
Tag	Name	St Format	St	Format	Usage / Remark
0074	Number of segments in the message	M n..6	M	n..6	Control value - number of segments
0062	Message reference number	M an..14	M	an..14	Control value - message reference number

Remark:

Example: UNT+33+1'

Tag	St	MaxOcc
-----	----	--------

UNZ	M	1 Interchange trailer
------------	---	-----------------------

EDIFACT			Conti		
Tag	Name	St Format	St	Format	Usage / Remark
0036	Interchange control count	M n..6	M	n..6	Control value - number of messages in the interchange
0020	Interchange control reference	M an..14	M	an..14	Control value - interchange control reference

Remark:

Example: UNZ+1+200602150001'



Example Message

No	Tag	Example
01	UNA	UNA:+.? '
02	UNB	UNB+UNOC:3+OD012345:59:123+987654321:1:LAFES+071205:1446+144659+++++1
03	UNH	UNH+1+ORDERS:D:14A:UN'
04	BGM	BGM+220+20069966'
05	DTM	DTM+137:20060214:102'
06	FTX	FTX+COI+++Kunde Achim Mustermann'
SG2		
07	NAD	NAD+BY+123::91++Continental Automotive GmbH:Name2+Siemensstraße 12:Street2+Regensburg++93055+DE'
SG5		
08	CTA	CTA+PD+KontaktNummer:KontaktName'
09	COM	COM+Phone:TE'
10	COM	COM+Fax:FX'
SG2		
11	NAD	NAD+SE+Identifizier::92++Name1:Name2+Street1:Street2+City++12345+DE'
SG2		
12	NAD	NAD+ST+1234567::92++Autoteile Müller:Gmbh & Co.KG+Prinzenstrasse 7:Hof 2+Berlin++10369+DE'
13	LOC	LOC+11+:::Hof 2+52.49.38N 13.41.37E'
SG7		
14	CUX	CUX+2:USD:9'
SG29		
15	LIN	LIN+1+1+1234-4567:IN'
16	PIA	PIA+1+1234567890123:UA+334455:SA+RAL57:CL+4000001234561:EN+123:MN'
17	IMD	IMD+F+++::Linke Halterung'
18	QTY	QTY+21:2:C62'
19	DTM	DTM+2:20060218:102'
20	GIN	GIN+ML+001:005+009:022+030:055+121:130+155:200'
21	GIR	GIR+1+5478:BF+123456789123456789123456789:AN'
22	DOC	DOC+6+X+EM'
23	FTX	FTX+COI++002::204+Kunde Achim Mustermann+de'
24	FTX	FTX+AAA+++Text:Text:Text::Text+de'
SG33		
25	PRI	PRI+CAL:::::10'
SG34		
26	RFF	RFF+ON:123456'
SG41		

No = Consecutive segment number

No	Tag	Example
27	NAD	NAD+ST+1234567::92++Autoteile Müller:GmbH & Co.KG+Prinzenstrasse 7:Hof 2+Berlin++10369+DE'
28	LOC	LOC+11+:::Hof 2+52.49.38N 13.41.37E'
	SG44	
29	CTA	CTA+IC+:Achim Mustermann'
30	COM	COM+0049 89 345 6785:TE'
	SG51	
31	TDT	TDT+20++3++:::Meiers Paketdienst'
	SG53	
32	TOD	TOD+5+WD+1::ZZZ:sofort'
33	UNS	UNS+S'
34	UNT	UNT+33+1'
35	UNZ	UNZ+1+200602150001'

No = Consecutive segment number